


65E Single Stage Exploded View Drawing

MODEL E 65

RATIO 

EFFECTIVE FOR: FROM S/N 55013, 6/3/02
TO CURRENT

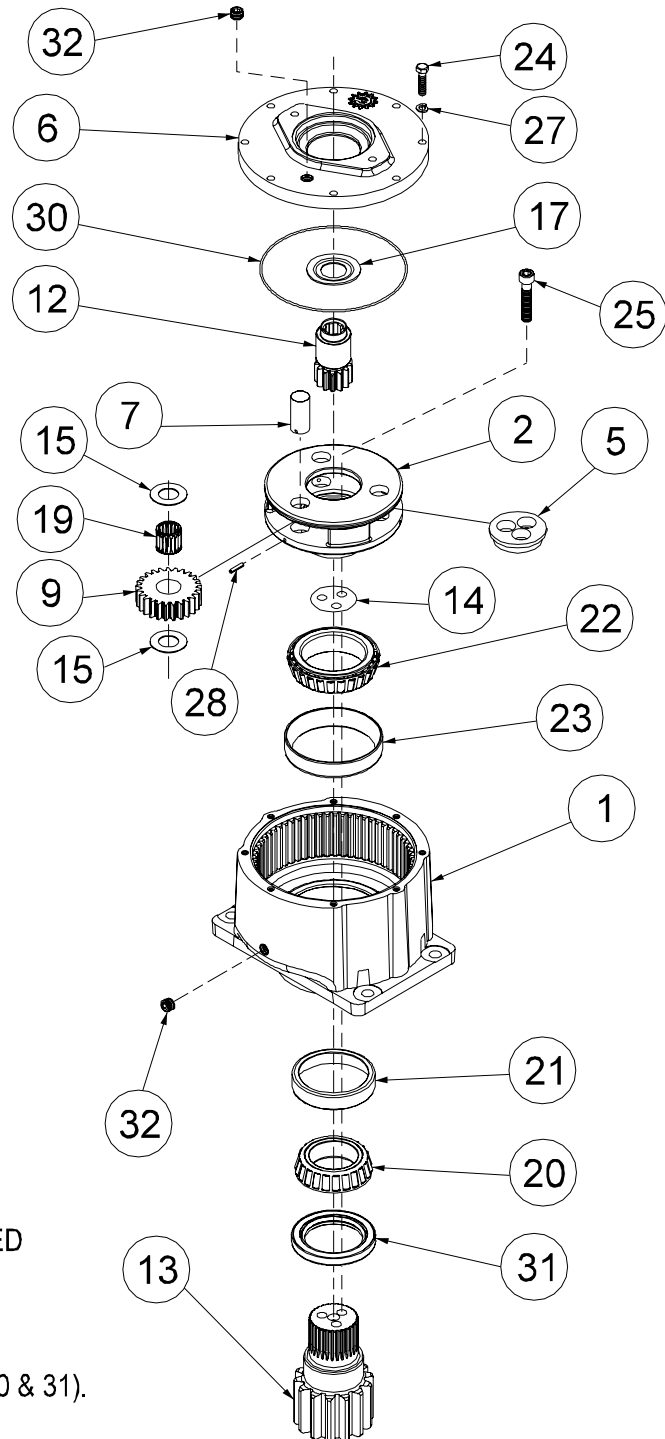
SINGLE PLANETARY

4.42:1

6.00:1



ITEM	QTY	DESCRIPTION	PART NO.	PART NO.
1	1	CASE-E60 (STD)	83-004-3012	83-004-3012
2	1	CARRIER (SEC)	83-004-1262	83-004-1232
5	1	PLATE- BEARING RETAINER	86-004-1002	86-004-1002
6	1	SAE 'A' 2 AND MOD 4 BOLT	13-004-1192	13-0041192
		SAE 'B' 2 BOLT	13-004-1182	13-004-1182
		SAE 'B' 2 & 4 BOLT	13-004-1202	13-004-1202
		SAE 'C' 2 AND 4 BOLT	13-004-1212	13-004-1212
7	3	PLANET SHAFT (SEC)	83-004-1031	83-004-1031
9	3	PLANET GEAR (SEC)	83-004-1272	83-004-1242
12	1	CODE 3 - INPUT - SAE 1" - 6B	-	83-004-1302
13	1	SHAFT- PER CUSTOMER SPEC	-	-
14	*	SHIMS	83-004-1101	83-004-1101
15	6	THRUST WASHER- PLANET	81-004-1561	81-004-1561
17	1	THRUST WASHER-INPUT	81-004-2701	81-004-2701
19	3	BEARING - SEC. PL.	01-105-0500	01-105-0500
20	1	BEARING CONE	01-102-0090	01-102-0090
21	1	BEARING CUP	01-103-0080	01-103-0080
22		BEARING CONE	01-102-0100	01-102-0100
23	1	BEARING CUP	01-103-0090	01-103-0090
24	8	H.H.C.S. 3/8-16-1 1/2 GR8	01-150-1670	01-150-1670
25	3	S.H.C.S. 1/2-20 2 1/2 GR8	01-150-1480	01-150-1480
27	8	LOCKWASHER 3/8 MED	01-166-0010	01-166-0010
28	3	ROLL PIN - SEC. PL. 3/16 X 7/8	01-153-0210	01-153-0210
30	1	O-RING	01-402-0420	01-402-0420
31	1	SHAFT SEAL	01-405-0380	01-405-0380
32	2	PIPE PLUG 3/8 NPT MAGNETIC	01-207-0070	01-207-0070
38	**	GREASE FITTING 1/8 NPT 65°	01-215-0070	01-215-0070



* QUANTITY OF SHIMS DETERMINED BY PRELOAD DESIRED
AND PART STACK-UP

** OPTION FOR PINION UP CONFIGURATION.

SEAL KIT P/N 83-016-5011 (INCLUDES 1 EACH OF ITEMS 30 & 31).

FILENAME X65ED1-AA