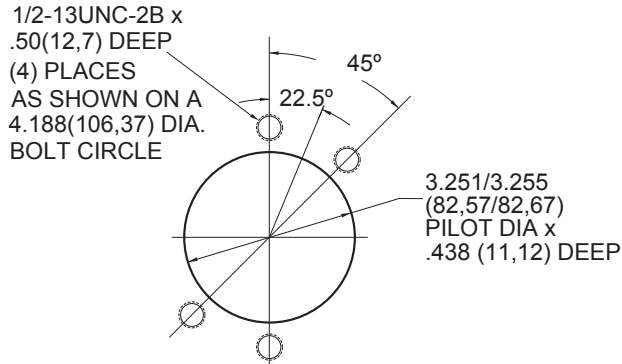




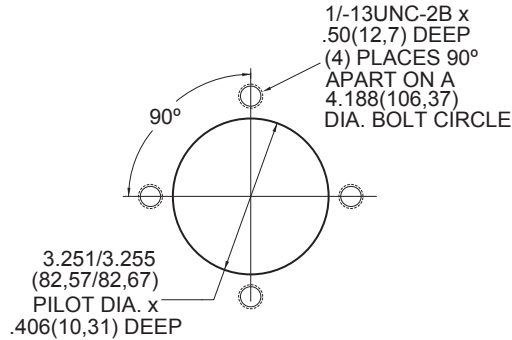
OPTION - A

SAE 'A' (2-BOLT & MODIFIED 4-BOLT)



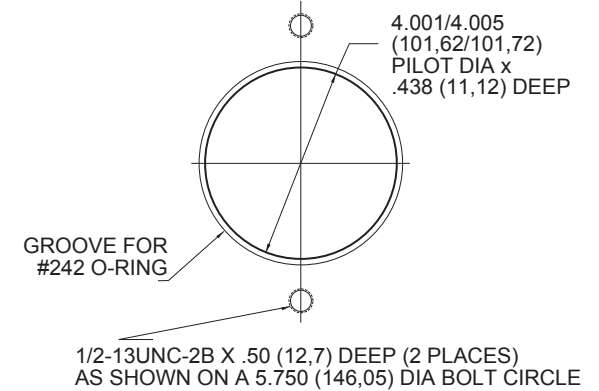
OPTION - F

150 & 250 SERIES ONLY
SAE 'A' (2-BOLT & MODIFIED 4-BOLT)



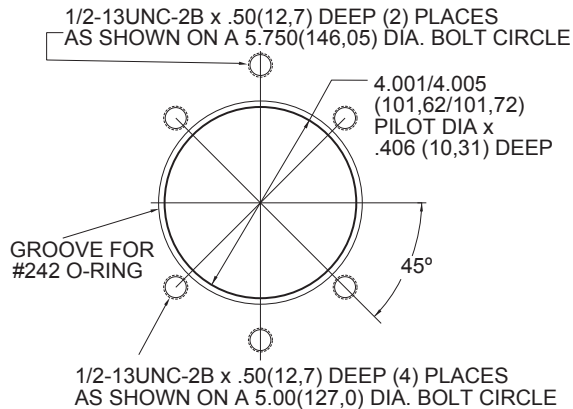
OPTION - B

ALL EXCEPT 150 & 250 SERIES
SAE 'B' (2-BOLT)



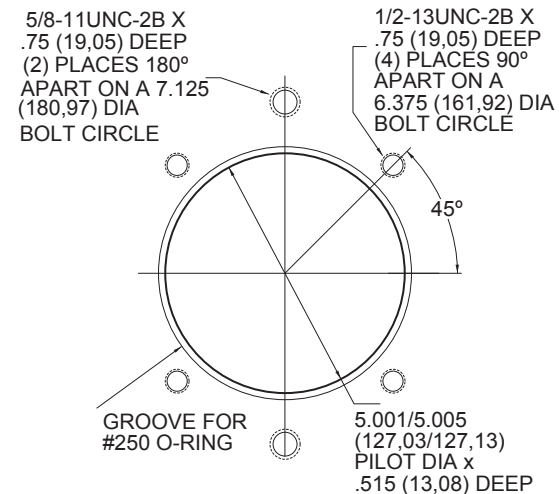
OPTION - B

150 & 250 SERIES ONLY
SAE 'B' (2-BOLT & 4-BOLT)



OPTION - C

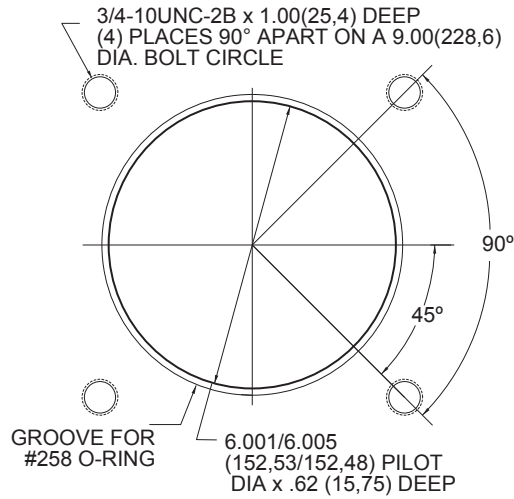
SAE 'C' (2-BOLT & 4-BOLT)





OPTION - D

SAE 'D' (4-BOLT)



OPTION - E

SAE 'E' (4-BOLT)

