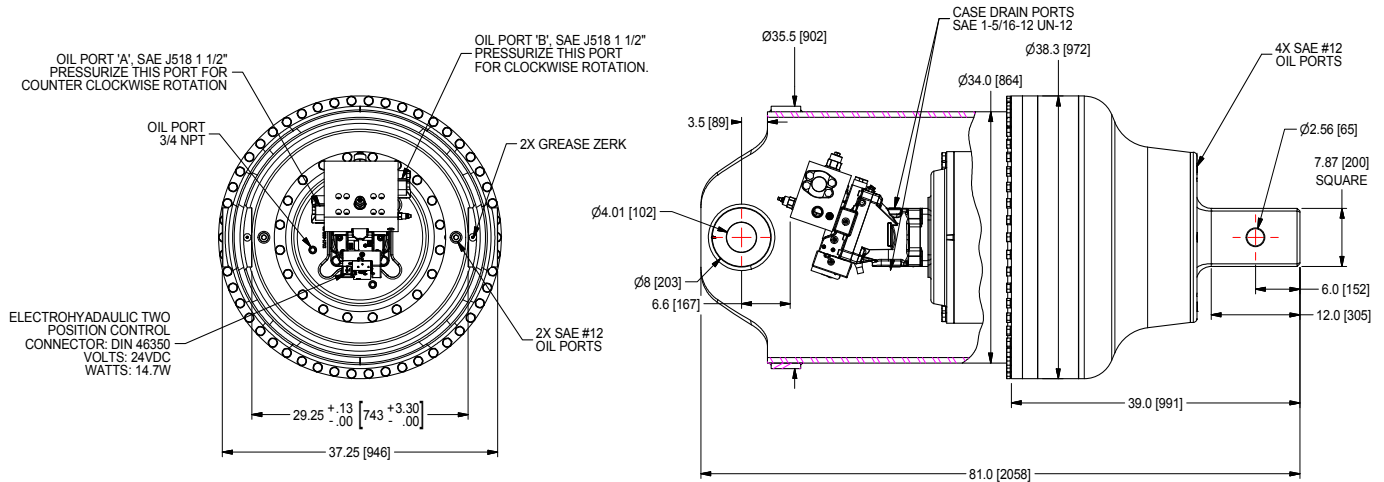




DH190 Series Anchor Drive 190,000 FT-LB TORQUE

Data Sheet PSDDH190QB_03_14

The DH190 is ideal for the construction, anchor setting, and utility digger markets. The DH series drive head utilizes a heavy duty three stage planetary gearbox with a patented Load-N-Lock shaft retention system for extreme duty situations. These drive heads use highly efficient variable speed piston motors for maximum speed and torque using today's excavator capabilities. Eskridge has over 40 years of experience in the manufacture of DiggerDrives™.



TECHNICAL SPECIFICATIONS

HYDRAULIC MOTOR INFORMATION

PART NUMBER: 01-304-0960
DISPLACEMENT: 160 CC MAXIMUM, 75 CC MINIMUM
MAXIMUM PRESSURE: 5000 PSIG (345 Bar)
MAXIMUM FLOW: 100 GPM (378 LPM)
TYPE: TWO SPEED BENT AXIS PISTON MOTOR
SPEED CONTROL: ELECTRO-HYDRAULIC SOLENOID (ENERGIZED HIGH SPEED)
SAFETY CONTROL: ANTI-SPIN BACK AND PRESSURE PROTECTION SYSTEM
BACK PRESSURE: CASE DRAIN REQUIRED ABOVE 44 PSIG (3 Bar)

PLANETARY GEARBOX INFORMATION

RATIO: 334:1
RATED OUTPUT TORQUE: TO 187,000 ft-lb (253,500 N-m)
SHAFT PULL-OUT: 275,000 lbf (1,223,000 N)
PRESSURE LOAD: 275,000 lbf (1,223,000 N)
SHAFT RETENTION: PATENTED LOAD-N-LOCK SHAFT RETENTION
OIL TYPE: 80W90 EP or GL-5
OIL CAPACITY: 23 gal (87 L)
WEIGHT: 6,300 lb (2860 kg)
BAIL PIN: REQUIRES A HIGH ALLOY HEAT TREATED PIN

For more information regarding Planetary Diggerdrives and other innovative products, feel free to contact us at:



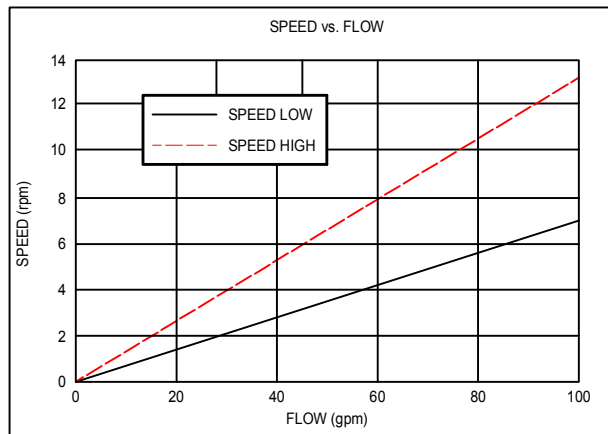
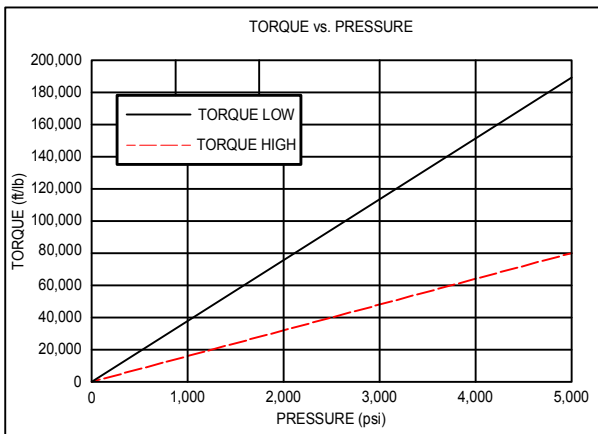
1900 Kansas City Road • Olathe, Kansas 66061 • USA

PHONE: (913) 782-1238 • FAX: (913) 782-4206

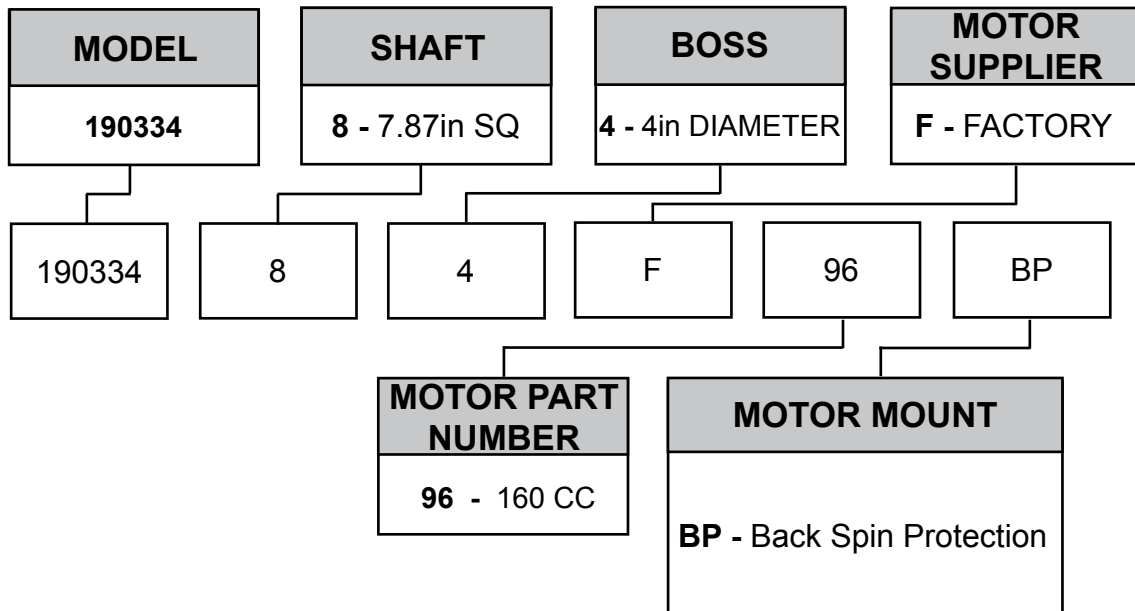
WEBSITE: www.eskridgeinc.com • E-MAIL: sales@eskridgeinc.com

Technical Data

MODEL	GEAR RATIO	MOTOR CODE	MOTOR PRESSURE	FLOW	RATED TORQUE / SPEED	
					HIGH SPEED	LOW SPEED
190334	334:1	96	5,000 psi (345 bar)	50 gpm (189 l/min)	81,000 ft-lb (109,800 N-m) / 3 rpm	187,000 ft-lb (253,500 N-m) / 6 rpm
190334	334:1	96	5,000 psi (345 bar)	100 gpm (378 l/min)	81,000 ft-lb (109,800 N-m) / 7 rpm	187,000 ft-lb (253,500 N-m) / 13 rpm



TORQUE AND SPEED CHARTS ARE BASED ON ANALYTICAL CALCULATIONS THAT USE AVERAGE GEARBOX AND MOTOR EFFICIENCIES. STARTING TORQUES ARE APPROXIMATELY 25% LESS THAN RUNNING TORQUE. SYSTEM BACK PRESSURE WILL REDUCE THE RUNNING TORQUES PROPORTIONALLY.



IMPORTANT INFORMATION...

ESKRIDGE, INC. EXPRESSLY DISCLAIMS ANY IMPLIED WARRANTY OF MERCHANTABILITY OR FITNESS FOR ANY PARTICULAR PURPOSE FOR THE PRODUCTS SHOWN HEREIN.

Any claims based on or related to the products shown herein will be satisfied only by repair or replacement in Eskridge, Inc.'s sole discretion to the extent covered by Eskridge's Product Warranty. Eskridge, Inc. is not liable for incidental or consequential damage of any kind or nature that relate in any way to the products shown herein. For complete warranty information, please refer to Eskridge, Inc.'s Product Warranty that applies to the products shown herein and is incorporated by this reference as if fully set forth. A copy of Eskridge, Inc.'s Product Warranty can be obtained by writing Eskridge, Inc. at P.O. Box 875, 1900 Kansas City Road, Olathe, Kansas 66061