

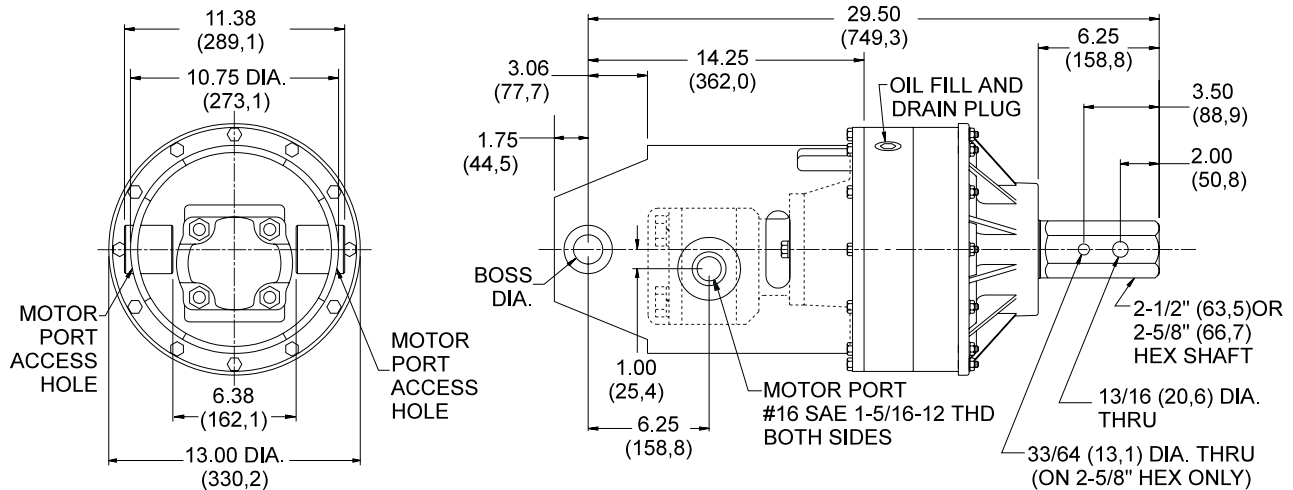


77 Series DiggerDrive™

6,500 TO 12,000 FT-LB TORQUE

Data Sheet PS77_9_13

The series 77 is heavy-duty, single-speed, double planetary drive with ease of control in operation. Ideal for use in the rental market. Select from three available torque and speed ranges to fit your application. Eskridge has over 25 years of experience in the manufacture of DiggerDrives™ to dig holes and install anchors in the heavy duty electric utility environment.



SINGLE-SPEED OPERATION
HEAVY DUTY, HIGH EFFICIENCY, DOUBLE PLANETARY DRIVE

SHAFT SIDE LOADING NOT RECOMMENDED.

TECHNICAL SPECIFICATIONS

MOTOR MOUNT: SAE "C" 2-BOLT
MOTORS: SINGLE SPEED GEAR TYPE
RATED OUTPUT TORQUES: TO 12,000 ft-lb (16,272 N-m)
MAXIMUM SYSTEM PRESSURE: 2,500 psi (172,4 bar)
OUTPUT SHAFT OPTIONS: 2" (50,8mm), 2-1/2" (63,5 mm) AND 2-5/8" (66,7 mm) HEX
SHAFT PULL-OUT LOAD: 15,000 lb (6818 kg)
SHAFT PRESSURE LOAD: 15,000 lb (6818 kg)
OIL CAPACITY: 6.5 pts (3.1 L)
BAIL BOSS DIAMETER: 1.26" (32,00 mm) OR 1.51" (38,35 mm)
WEIGHT: 250 lb (113,4 kg) WITH MOTOR

For more information regarding Planetary Diggerdrives and other innovative products, feel free to contact us at:



1900 Kansas City Road • Olathe, Kansas 66061 • USA

PHONE: (913) 782-1238 • FAX: (913) 782-4206

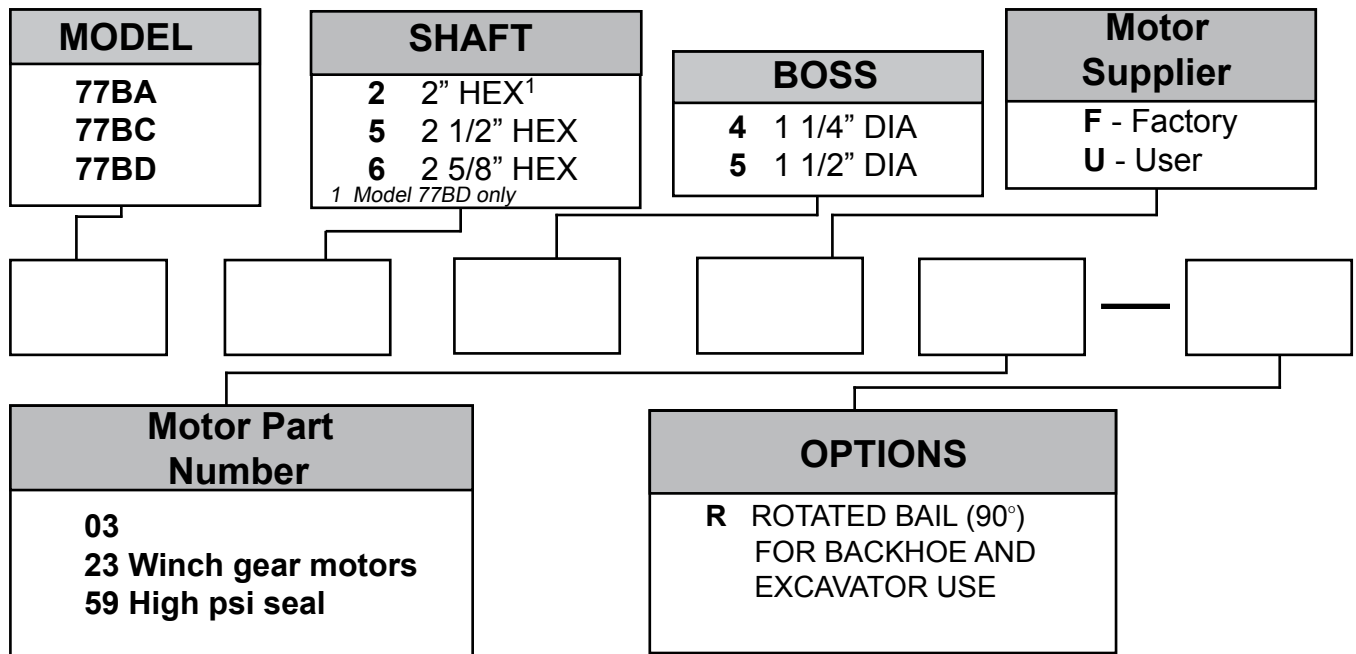
WEBSITE: www.eskridgeinc.com • E-MAIL: sales@eskridgeinc.com

Performance Data

MODEL	GEAR RATIO	MOTOR	MOTOR PRESSURE Δ psi (Δ bar)	FLOW gpm (l/min)	RATED TORQUE* ft-lb. (N-m)	SPEED rpm
77BA	70:1	03/59	2,400 (166)	40 (152)	12,000 (16,272)	19
77BC	46:1	03/59	2,400 (166)	40 (152)	8,000 (10,848)	30
77BD	38:1	03/59	2,400 (166)	40 (152)	6,500 (8,814)	36

* Maximum intermittent value.

- STARTING TORQUES ARE APPROXIMATELY 25% LESS THAN RUNNING TORQUE.
- SYSTEM BACK PRESSURE WILL REDUCE THE RUNNING TORQUES PROPORTIONALLY.
- BACK PRESSURE SHOULD BE LIMITED TO 100 psi (6,9 bar).
- MAXIMUM FLOW RATE IS DEPENDENT UPON MOTOR DISPLACEMENTS.
- HIGH ALLOY HEAT TREATED BAIL BOSS PINS REQUIRED (CUSTOMER PROVIDED).



For other motor options
not listed, consult factory.

IMPORTANT INFORMATION...

ESKRIDGE, INC. EXPRESSLY DISCLAIMS ANY IMPLIED WARRANTY OF MERCHANTABILITY OR FITNESS FOR ANY PARTICULAR PURPOSE FOR THE PRODUCTS SHOWN HEREIN.

Any claims based on or related to the products shown herein will be satisfied only by repair or replacement in Eskridge, Inc.'s sole discretion to the extent covered by Eskridge's Product Warranty. Eskridge, Inc. is not liable for incidental or consequential damage of any kind or nature that relate in any way to the products shown herein. For complete warranty information, please refer to Eskridge, Inc.'s Product Warranty that applies to the products shown herein and is incorporated by this reference as if fully set forth. A copy of Eskridge, Inc.'s Product Warranty can be obtained by writing Eskridge, Inc. at P.O. Box 875, 1900 Kansas City Road, Olathe, Kansas 66061