



# 600 Shaft/Spindle Drive

Typical Applications: Industrial, Marine or Mobile Equipment

(913) 782-1238 (Tel)  
(913) 782-4206 (Fax)  
Sales@EskridgeInc.com  
www.EskridgeInc.com  
FORM: PS600S\_AF  
Page 1 of 6

## Performance Ratings

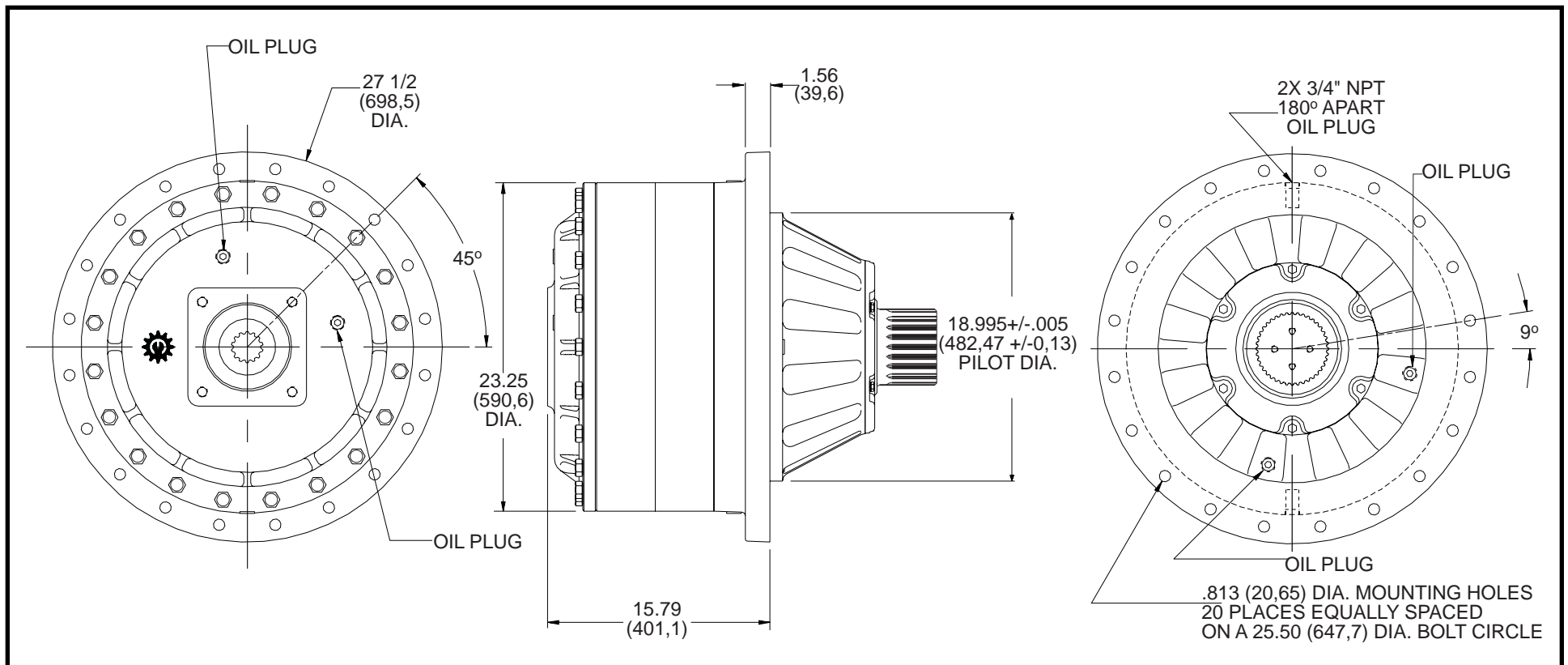
Maximum Intermittent Output Torque .....	600,000 in-lb (67,791 N-m)
Continuous Output Torque .....	300,000 in-lb (33,895 N-m)
Peak Torque Rating.....	Consult Eskridge
Maximum Input Speed (No Load).....	4,000 RPM

Consult your Eskridge representative to determine ratings for your specific application or configuration.

## General Dimensions for Shaft Output Flanged Gear Drive Mounting (ordering option 'A')

Other options may be available. See ordering information on last page or contact your Eskridge representative for more details.

Values are shown as "inches (millimeters)."





# 600 Shaft/Spindle Drive

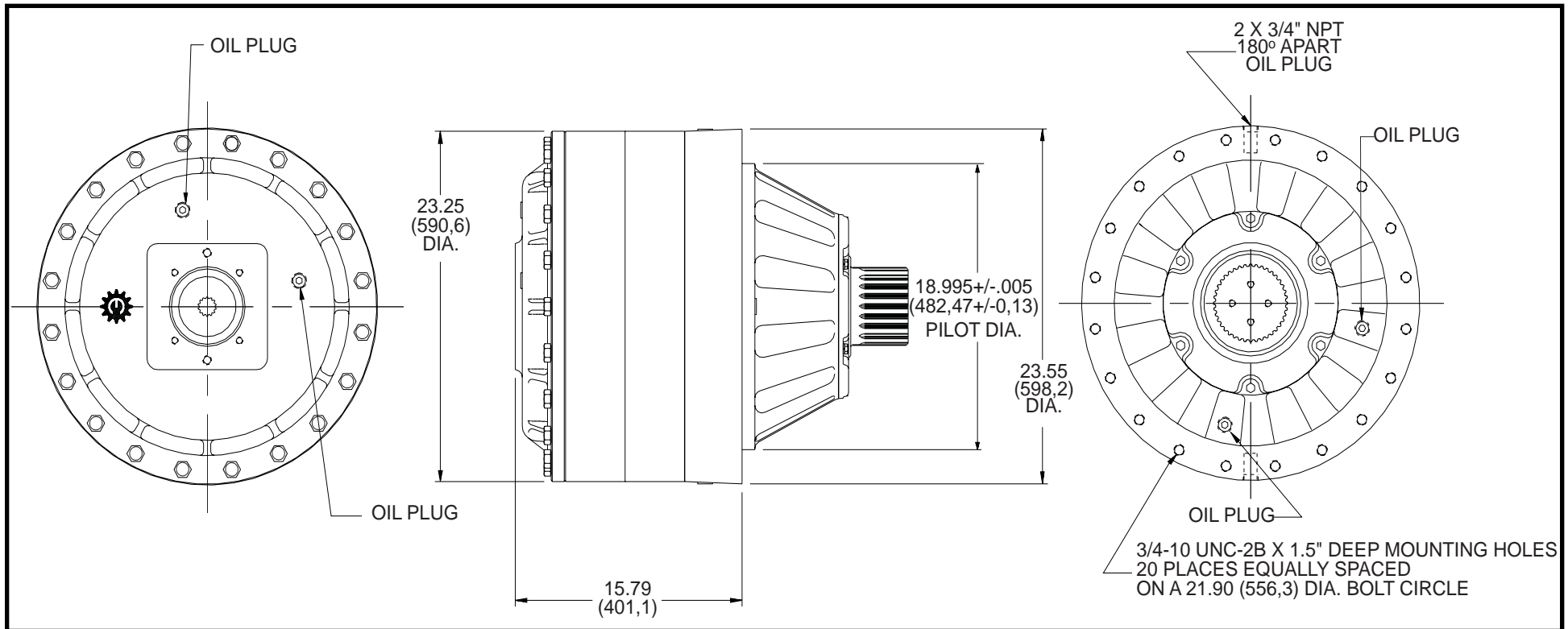
Typical Applications: Industrial, Marine or Mobile Equipment

(913) 782-1238 (Tel)  
(913) 782-4206 (Fax)  
[Sales@EskridgeInc.com](mailto:Sales@EskridgeInc.com)  
[www.EskridgeInc.com](http://www.EskridgeInc.com)  
FORM: PS600S\_AF  
Page 2 of 6

## General Dimensions for Shaft Output Flangeless Gear Drive Mounting (ordering option 'F')

Other options may be available. See ordering information on last page or contact your Eskridge representative for more details.

Values are shown as "inches (millimeters)."





# 600 Shaft/Spindle Drive

Typical Applications: Industrial, Marine or Mobile Equipment

(913) 782-1238 (Tel)  
 (913) 782-4206 (Fax)  
[Sales@EskridgeInc.com](mailto:Sales@EskridgeInc.com)  
[www.EskridgeInc.com](http://www.EskridgeInc.com)  
 FORM: PS600S\_AF  
 Page 3 of 6

## General Dimensions for Spindle Output Flanged (ordering option 'A') and Flangeless (ordering option 'F') Gear Drive Mounting

Other options may be available. See ordering information on last page or contact your Eskridge representative for more details.

Values are shown as "inches (millimeters)."

### Input Spline Data

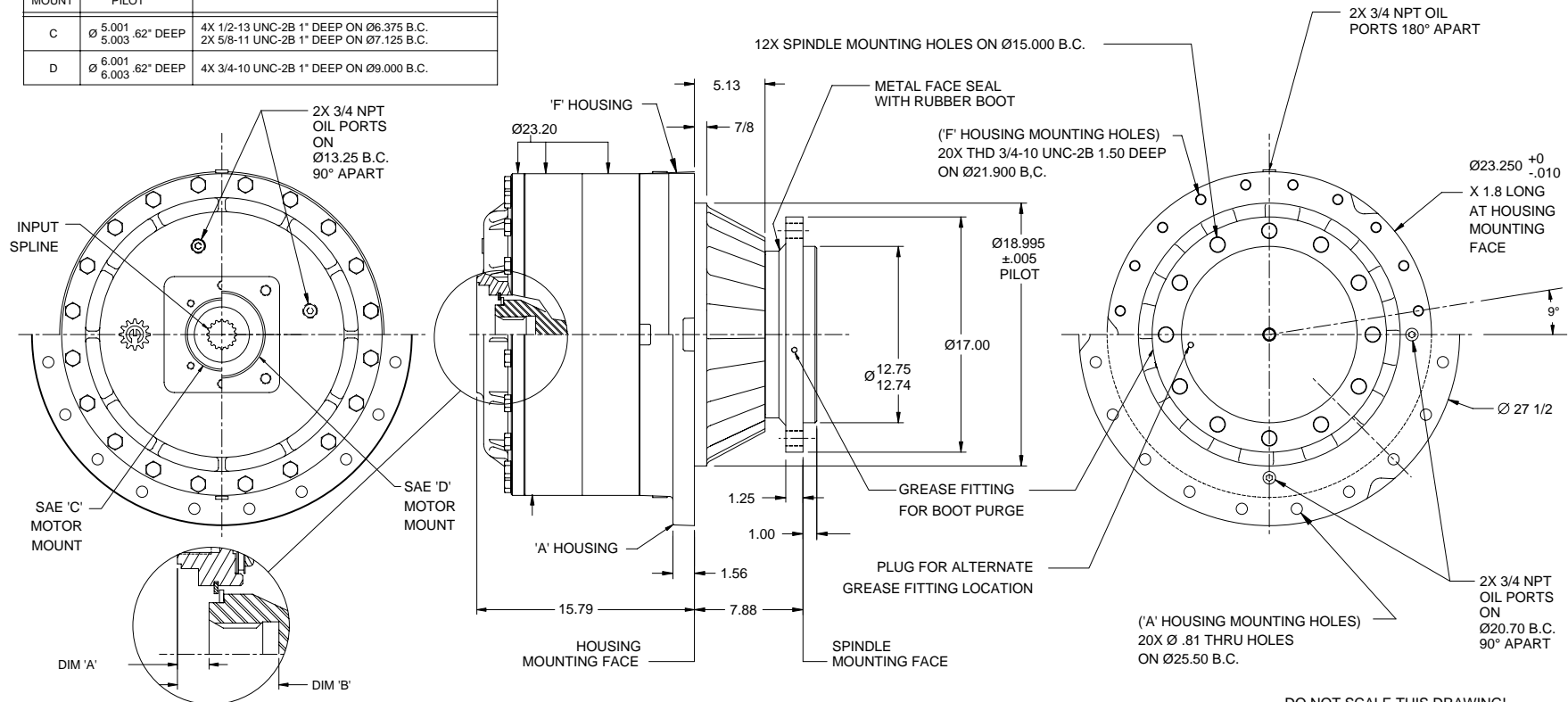
Dimension "A"

13T	14 T	15T	16T	17T
1.10	.94	.85	1.10	.94
(27,9)	(23,9)	(21,6)	(27,9)	(23,9)

Dimension "B"

13T	14 T	15T	16T	17T
3.00	3.00	3.60	3.62	3.62
(76,2)	(76,2)	(91,4)	(91,5)	(91,5)

INPUT MOUNT	MOTOR PILOT	MOTOR MOUNTING SPECIFICATIONS
C	Ø 5.001 5.003 .62" DEEP	4X 1/2-13 UNC-2B 1" DEEP ON Ø6.375 B.C. 2X 5/8-11 UNC-2B 1" DEEP ON Ø7.125 B.C.
D	Ø 6.001 6.003 .62" DEEP	4X 3/4-10 UNC-2B 1" DEEP ON Ø9.000 B.C.



DO NOT SCALE THIS DRAWING!



# 600 Shaft/Spindle Drive

Typical Applications: Industrial, Marine or Mobile Equipment

(913) 782-1238 (Tel)  
 (913) 782-4206 (Fax)  
[Sales@EskridgeInc.com](mailto:Sales@EskridgeInc.com)  
[www.EskridgeInc.com](http://www.EskridgeInc.com)  
 FORM: PS600S\_AF  
 Page 4 of 6

## Approximate Unit Weight

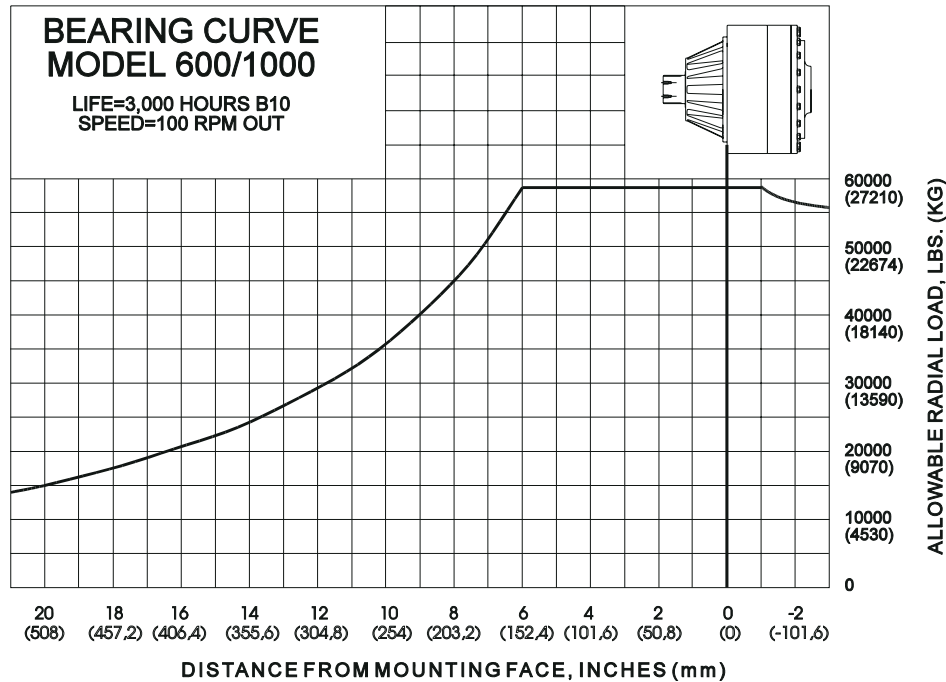
1,350 - 1,425 lbs / 614 - 648 kg

## Oil Capacities

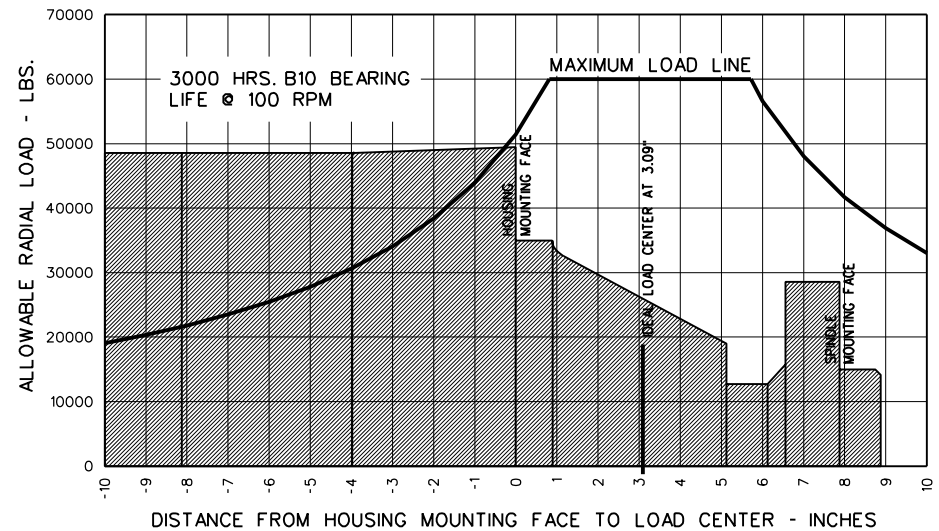
Position	Quantity
Vertical	9.50 gallons / 36 liters
Horiz.	5.00 gallons / 19 liters

All units are shipped dry (without oil).

## Shaft Output Bearing Curve



## Spindle Output Bearing Curve



To adjust for loads and speeds other than those shown on above curve, use this formula:

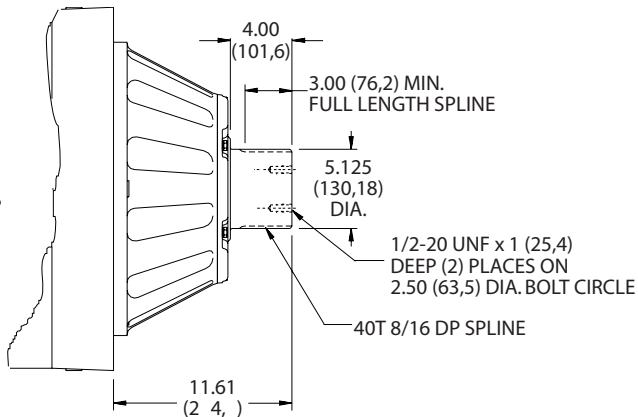
$$\text{Adjusted Life (hours)} = 3000 \left( \frac{100\text{rpm}}{\text{Speed(Adjusted)}} \right) \times \left( \frac{\text{Load (Curve)}}{\text{Load (Adjusted)}} \right)^{10/3}$$

## Output Shaft Options Values are shown as "inches (millimeters)"

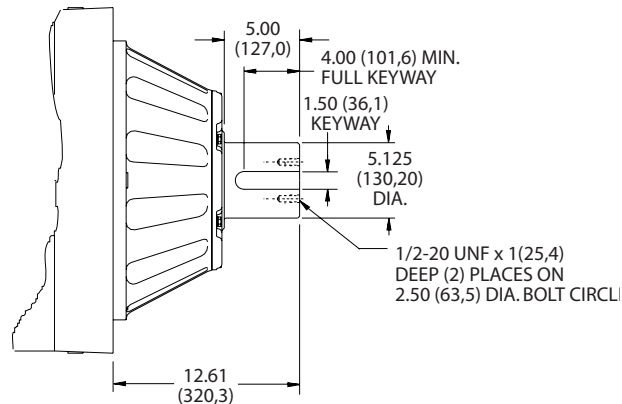
### D1 - 40T 8/16 DP Spline

Adapter Hub Available  
 Part Number: 60-004-4042  
 Retainer Kit: 60-018-0901

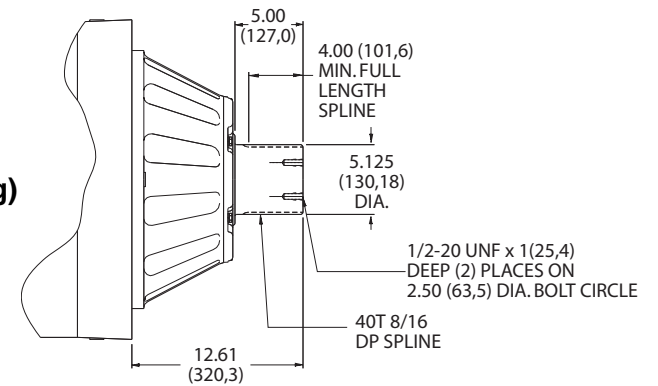
See Hubs & Pinions technical data sheet for details.



### D2 - 5.125" Dia. X 1.50" Key X 5"



### D3 - 40T 8/16 DP Spline (long)



### S1 - 17" Dia. Spindle 12 x 1.125" - 12 UNF on 15" dia. Bolt Circle 12.75" dia. Pilot

Refer to page 3 for Image



# 600 Shaft/Spindle Drive

Typical Applications: Industrial, Marine or Mobile Equipment

(913) 782-1238 (Tel)  
 (913) 782-4206 (Fax)  
[Sales@EskridgeInc.com](mailto:Sales@EskridgeInc.com)  
[www.EskridgeInc.com](http://www.EskridgeInc.com)  
 FORM: PS600S\_AF  
 Page 6 of 6

## Ordering Information

Example Part Number: 600LAD2C4-60-Z

