



49B Caliper Brake

Typical Applications: Industrial, Marine or Mobile Equipment

(913) 782-1238 (Tel)
 (913) 782-4206 (Fax)
Sales@EskridgeInc.com
www.EskridgeInc.com
 FORM: PS49B B0907
 Page 1 of 3

Performance Ratings

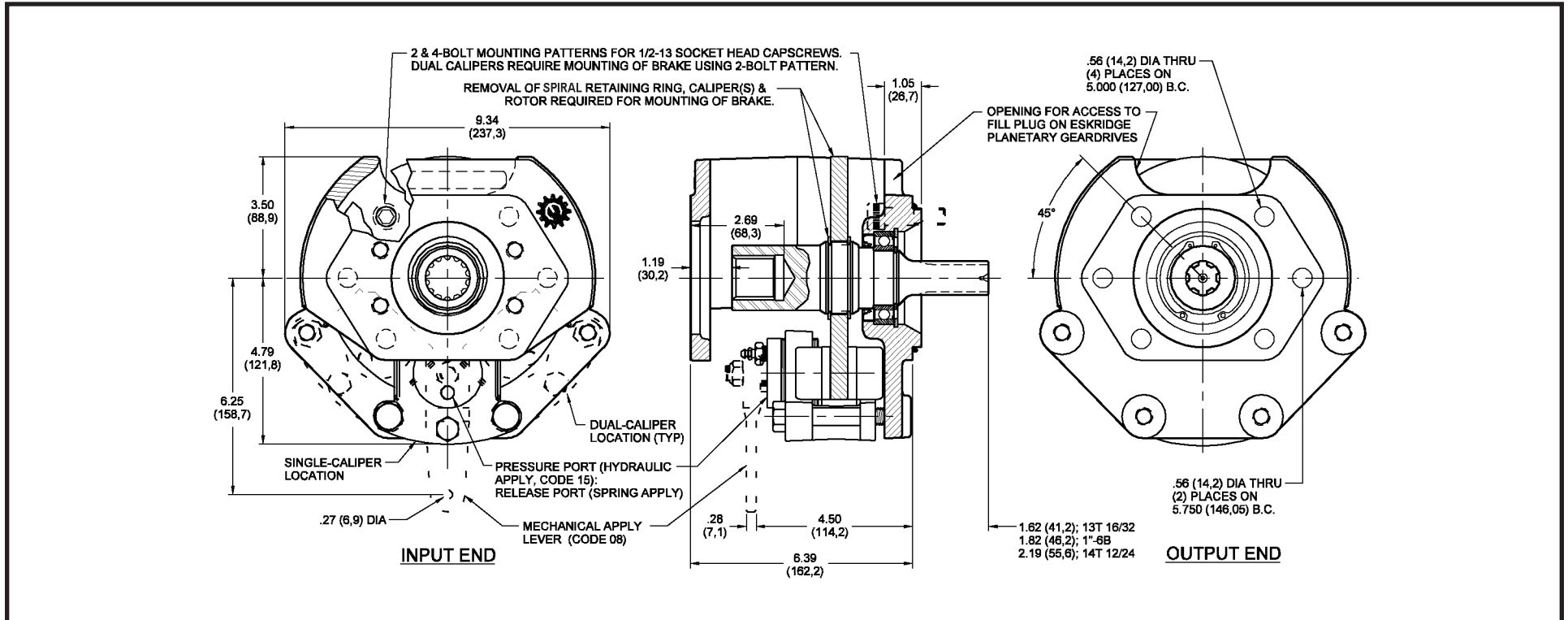
Maximum Release Pressure2,000 PSI*
 Maximum Continuous Pressure 1,500 PSI*
 Maximum Speed at Full Release Pressure ...3,900 RPM
 Maximum Operating Temperature.....170° F
 * 5,000 PSI Available

Volume of Oil to Release Brake0.3 cubic inches
 Approximate Weight33-37 lbs / 15-17kg
 Shaft Splines 30° involute,
 flat root side fit per ANSI
 B92.1a-1976
 internal - class 7, external - class 5

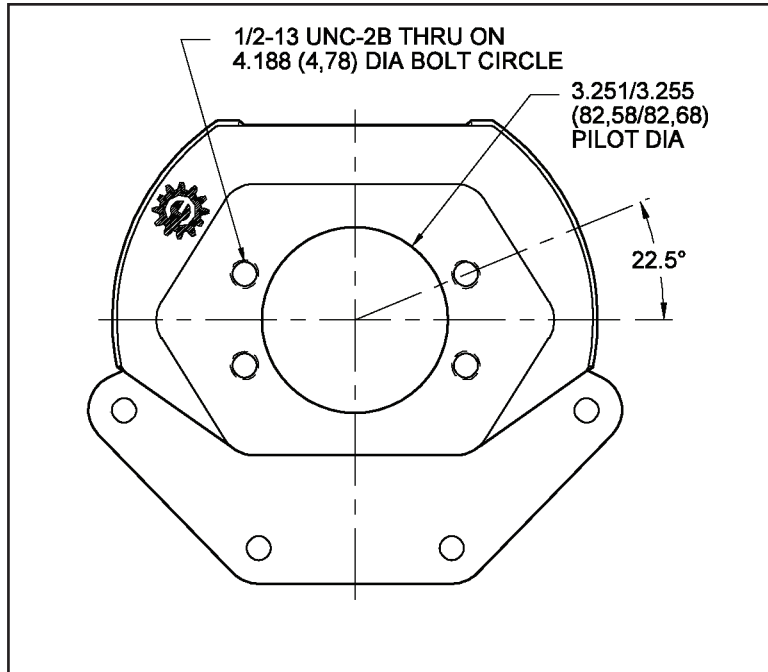
Consult your Eskridge representative to determine ratings for your specific application or configuration.

General Dimensions for 49B Brake

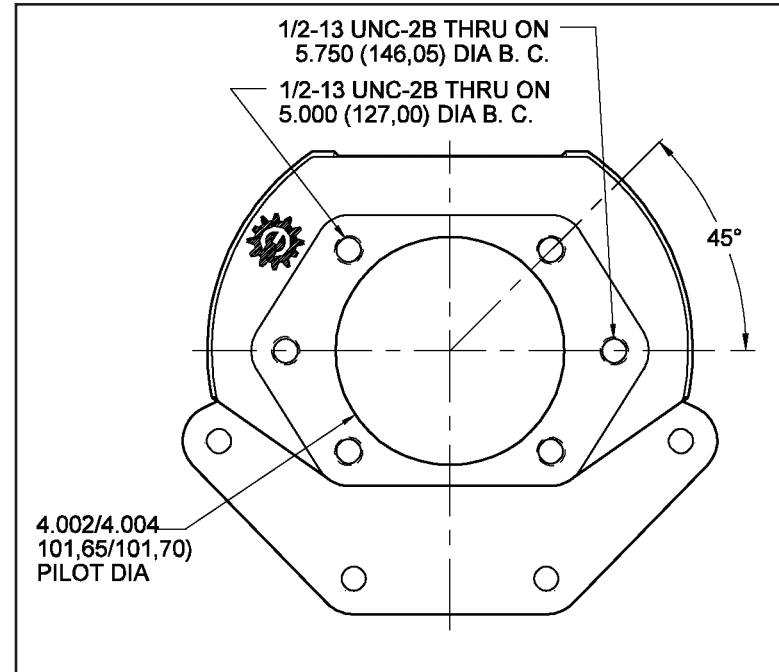
The model 49B Series is a modular SAE 'B'-mounted caliper disc brake designed to accept a MICO 515 series caliper. The MICO 515 series caliper is available in three basic models: mechanical-apply, hydraulic-apply and spring-apply/hydraulic release. Other options may be available. See ordering information on last page or contact your Eskridge representative for more details.



Input Mounting *Values are shown as "inches (millimeters)"*



"A" Option
SAE 'A'
2 &
Modified 4 Bolt



"B" Option
SAE 'B' 2 Bolt



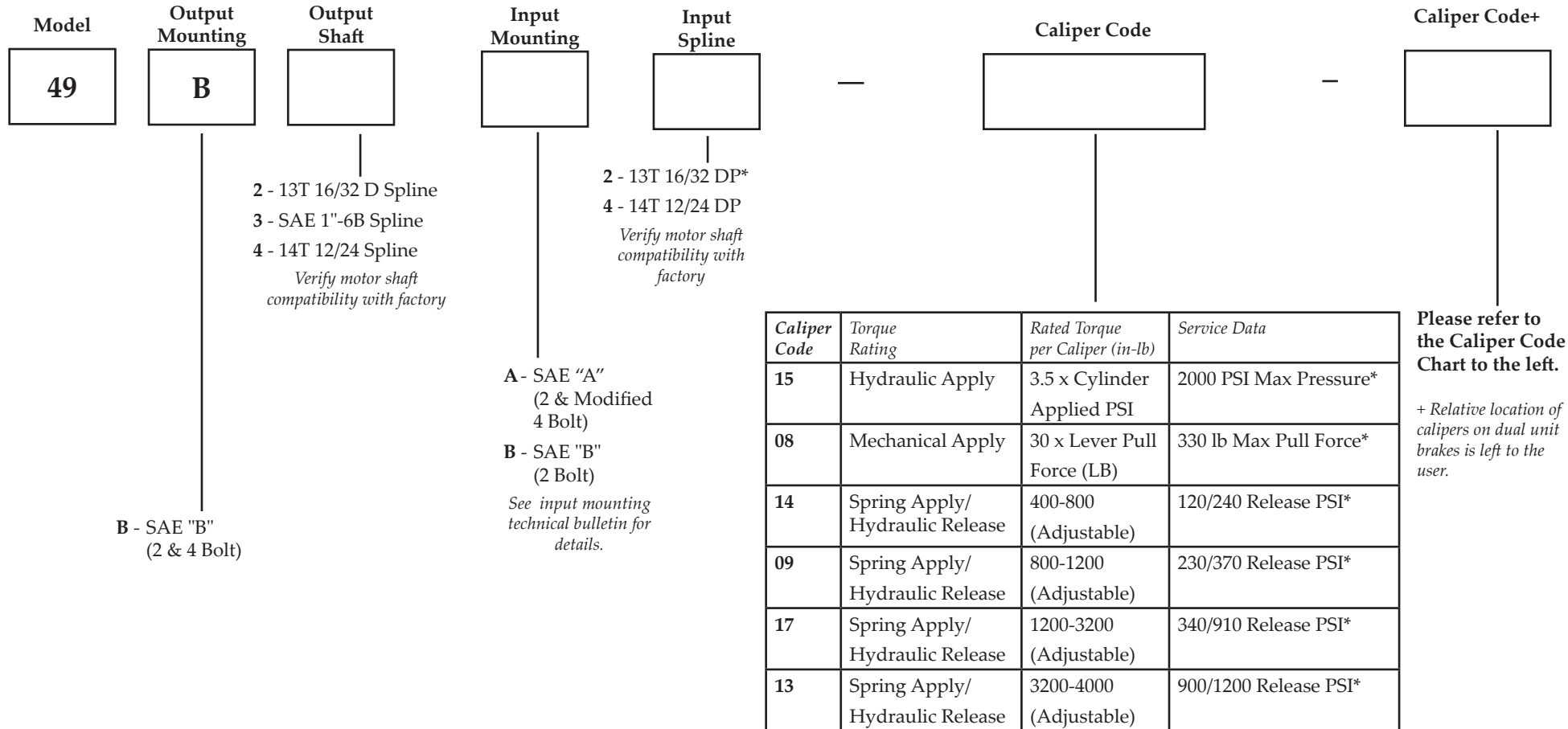
49B Caliper Brake

Typical Applications: Industrial, Marine or Mobile Equipment

(913) 782-1238 (Tel)
 (913) 782-4206 (Fax)
Sales@EskridgeInc.com
www.EskridgeInc.com
 FORM: PS49B B0907
 Page 3 of 3

Ordering Information

Example Part Number: 49B2A2-15-15



* Maximum Pressure Rate: 1500 PSI Continuous, 2000 PSI Intermittent

Torque* - Break away torque may vary +/- 10% from specified ratings. Use only mineral based hydraulic oil for release of brake.