



# 250 Gear Drive

Typical Applications: Industrial, Marine or Mobile Equipment

(913) 782-1238 (Tel)  
(913) 782-4206 (Fax)  
[Sales@EskridgeInc.com](mailto:Sales@EskridgeInc.com)  
[www.EskridgeInc.com](http://www.EskridgeInc.com)  
FORM: PS250\_1106Page  
1 of 6

## Performance Ratings

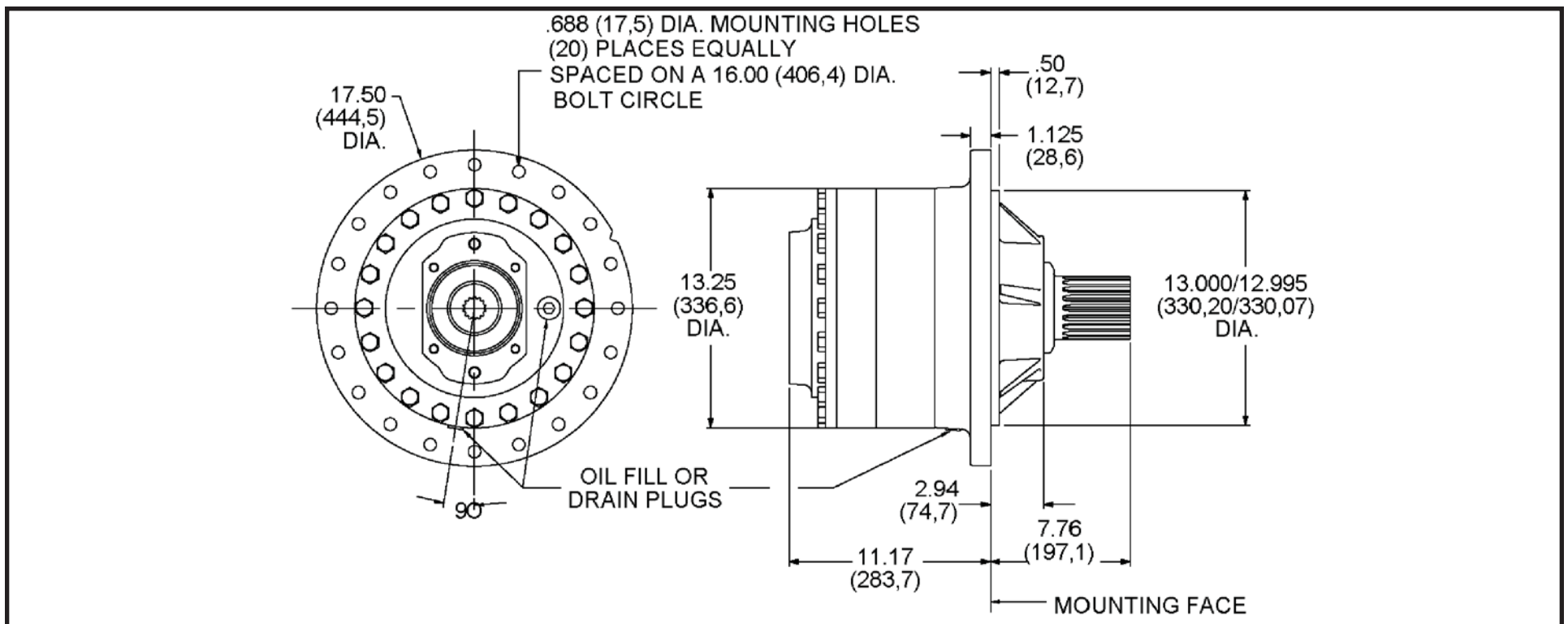
Maximum Intermittent Output Torque .....	250,000 in-lb (28,250 N-m)
Continuous Output Torque .....	Consult Eskridge
Peak Torque Rating.....	Consult Eskridge
Maximum Input Speed (No Load).....	3,000 RPM

Consult your Eskridge representative to determine ratings for your specific application or configuration.

## General Dimensions for Flanged Gear Drive Mounting (ordering option 'A')

Other options may be available. See ordering information on last page or contact your Eskridge representative for more details.

Values are shown as "inches (millimeters)."





# 250 Gear Drive

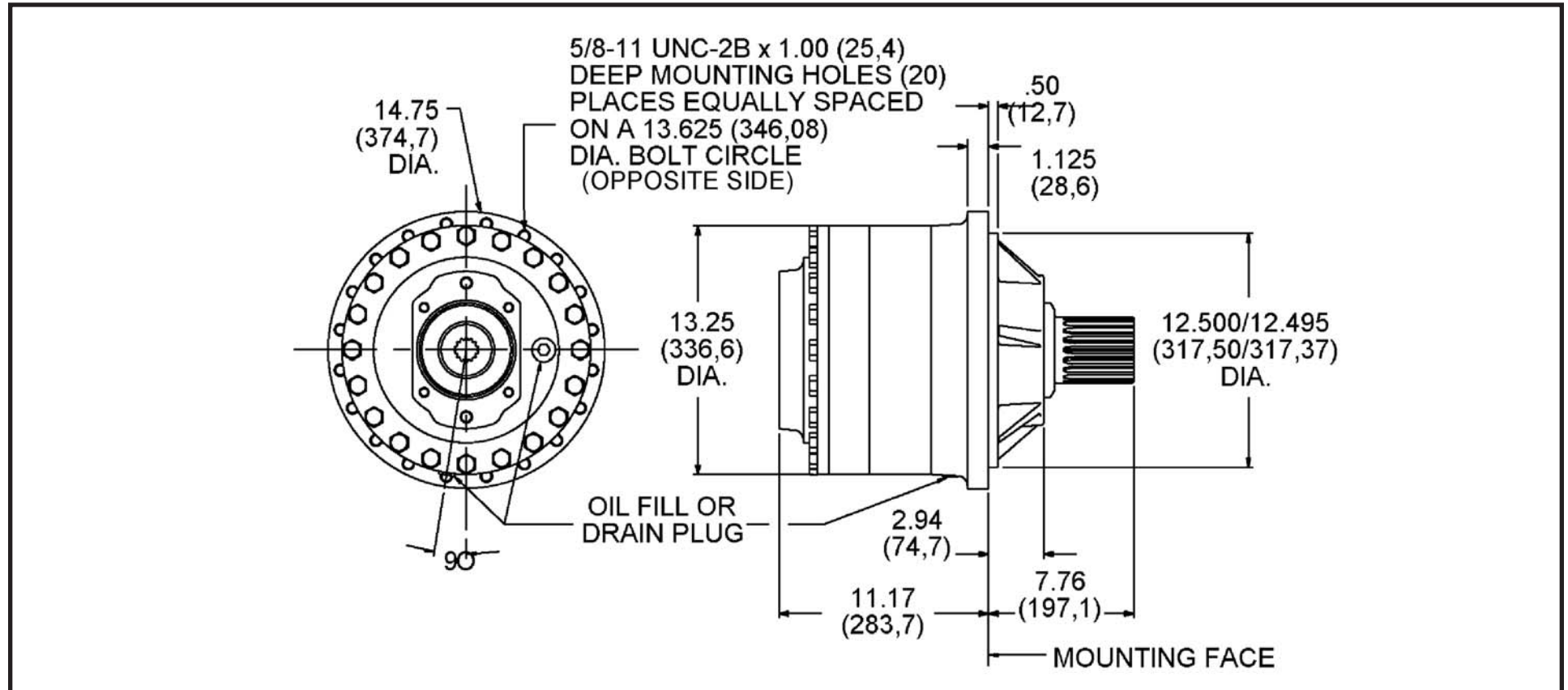
Typical Applications: Industrial, Marine or Mobile Equipment

(913) 782-1238 (Tel)  
(913) 782-4206 (Fax)  
[Sales@EskridgeInc.com](mailto:Sales@EskridgeInc.com)  
[www.EskridgeInc.com](http://www.EskridgeInc.com)  
FORM: PS250\_1106Page  
2 of 6

## General Dimensions for Flangeless Gear Drive Mounting (ordering option 'F')

Other options may be available. See ordering information on last page or contact your Eskridge representative for more details.

Values are shown as "inches (millimeters)."





# 250 Gear Drive

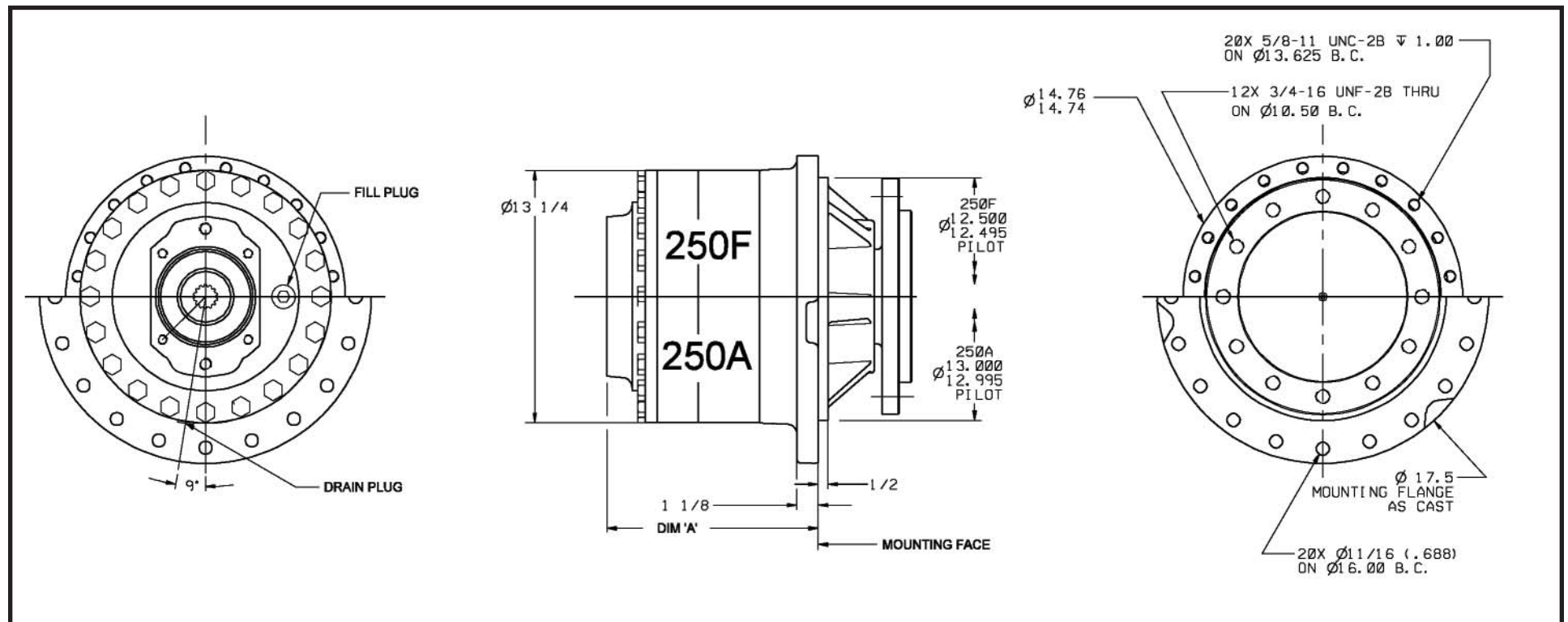
Typical Applications: Industrial, Marine or Mobile Equipment

(913) 782-1238 (Tel)  
(913) 782-4206 (Fax)  
[Sales@EskridgeInc.com](mailto:Sales@EskridgeInc.com)  
[www.EskridgeInc.com](http://www.EskridgeInc.com)  
FORM: PS250\_1106Page  
3 of 6

## General Dimensions for Spindle Output Flanged Gear Drive Mounting (ordering option 'A') and Flangeless Gear Drive Mounting (ordering option 'F')

Other options may be available. See ordering information on last page or contact your Eskridge representative for more details.

Values are shown as "inches (millimeters)."





# 250 Gear Drive

Typical Applications: Industrial, Marine or Mobile Equipment

(913) 782-1238 (Tel)  
 (913) 782-4206 (Fax)  
[Sales@EskridgeInc.com](mailto:Sales@EskridgeInc.com)  
[www.EskridgeInc.com](http://www.EskridgeInc.com)  
 FORM: PS250\_1106Page  
 4 of 6

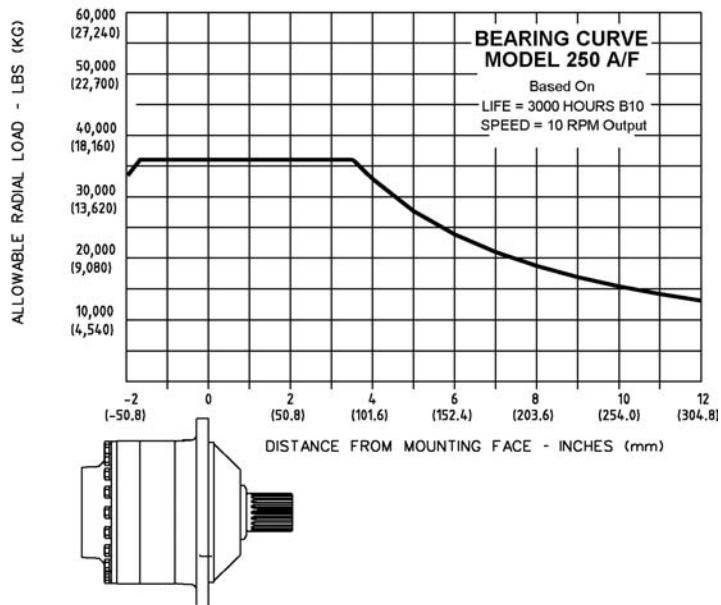
## Approximate Unit Weight

360 lbs / 163 kg

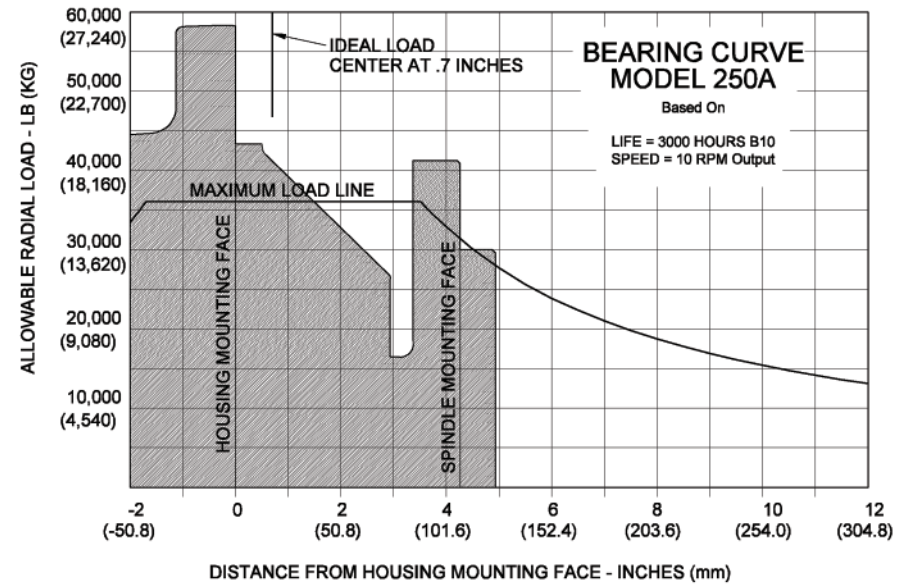
## Oil Capacities

Position	Quantity
Horizontal	6.00 pts. / 2.8 L
Vertical	10.00 pts. / 4.7 L

## Bearing Curve (Shaft)



## Bearing Curve (Spindle)



To adjust for loads and speeds other than those shown on above curve, use this formula:

$$\text{Adjusted Life (hours)} = 3000 \left( \frac{10\text{rpm}}{\text{Speed(Adjusted)}} \right) \times \left( \frac{\text{Load (Curve)}}{\text{Load (Adjusted)}} \right)^{10/3}$$



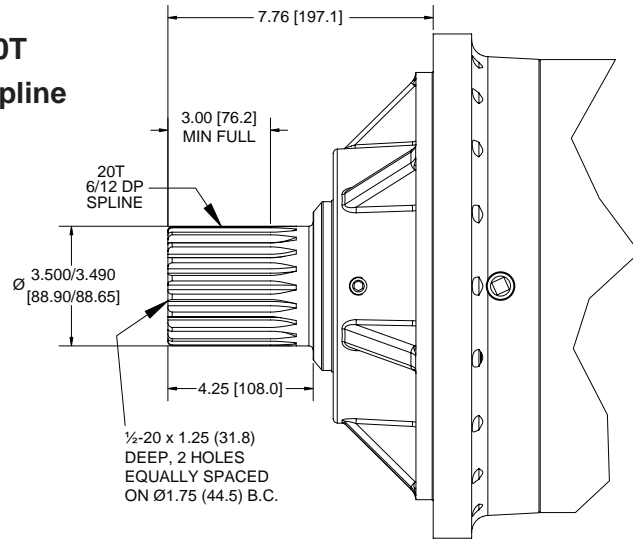
# 250 Gear Drive

Typical Applications: Industrial, Marine or Mobile Equipment

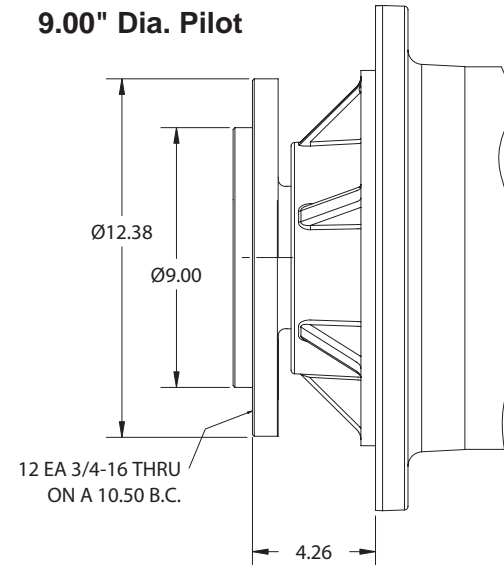
(913) 782-1238 (Tel)  
(913) 782-4206 (Fax)  
[Sales@EskridgeInc.com](mailto:Sales@EskridgeInc.com)  
[www.EskridgeInc.com](http://www.EskridgeInc.com)  
FORM: PS250\_1106Page  
5 of 6

## Output Shaft Options Values are shown as "inches (millimeters)"

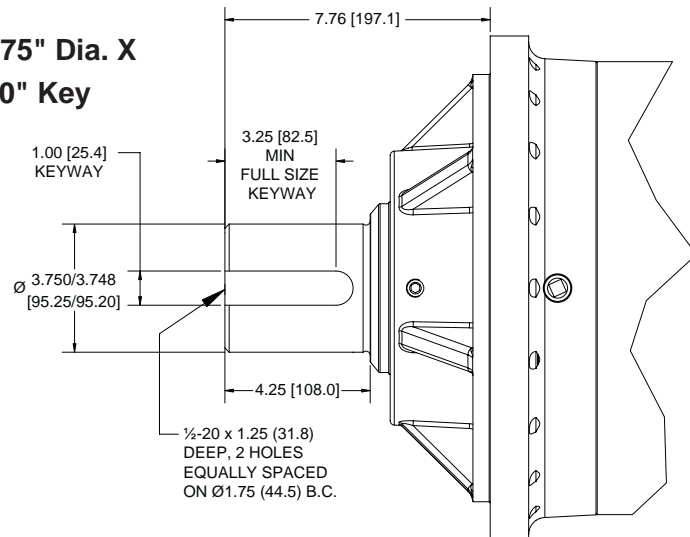
### D1 - 20T 6/12 DP Spline



### S1 - Spindle 9.00" Dia. Pilot



### D2 - 3.75" Dia. X 1.00" Key





# 250 Gear Drive

Typical Applications: Industrial, Marine or Mobile Equipment

(913) 782-1238 (Tel)  
 (913) 782-4206 (Fax)  
[Sales@EskridgeInc.com](mailto:Sales@EskridgeInc.com)  
[www.EskridgeInc.com](http://www.EskridgeInc.com)  
 FORM: PS250\_1106Page  
 6 of 6

## Ordering Information

Example Part Number: 250KAD1A3-20-Z

