



1400 Shaft/Spindle Drive

Typical Applications: Industrial, Marine or Mobile Equipment

(913) 782-1238 (Tel)
 (913) 782-4206 (Fax)
Sales@EskridgeInc.com
www.EskridgeInc.com
 FORM: PS1400_0308
 Page 1 of 7

Performance Ratings

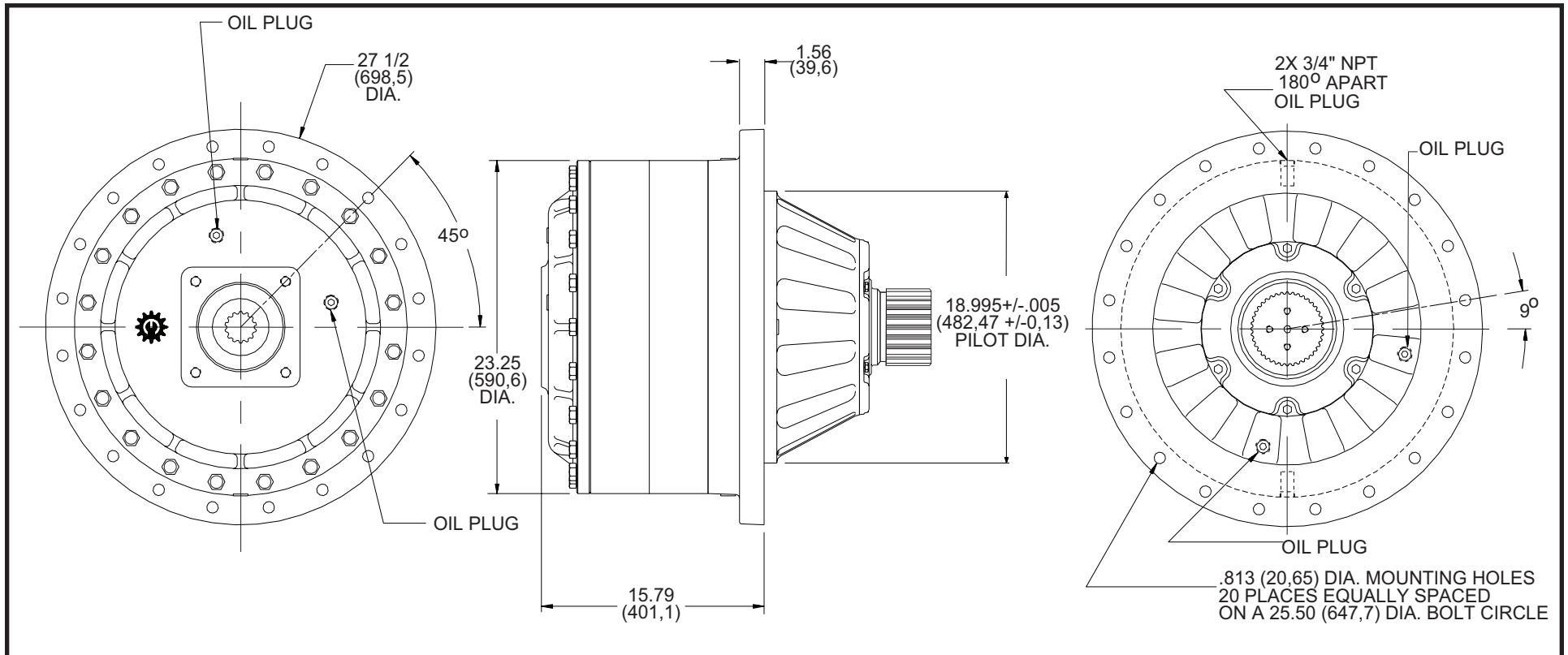
| | |
|--|-------------------------------|
| Maximum Intermittent Output Torque | 1,400,000 in-lb (158,000 N-m) |
| Continuous Output Torque | 700,000 in-lb (79,000 N-m) |
| Peak Torque Rating..... | Consult Eskridge |
| Maximum Input Speed (No Load)..... | 4,000 RPM |

Consult your Eskridge representative to determine ratings for your specific application or configuration.

General Dimensions for Shaft Output Flanged Gear Drive Mounting (ordering option 'A')

Other options may be available. See ordering information on last page or contact your Eskridge representative for more details.

Values are shown as "inches (millimeters)."





ESKRIDGE

1400 Shaft/Spindle Drive

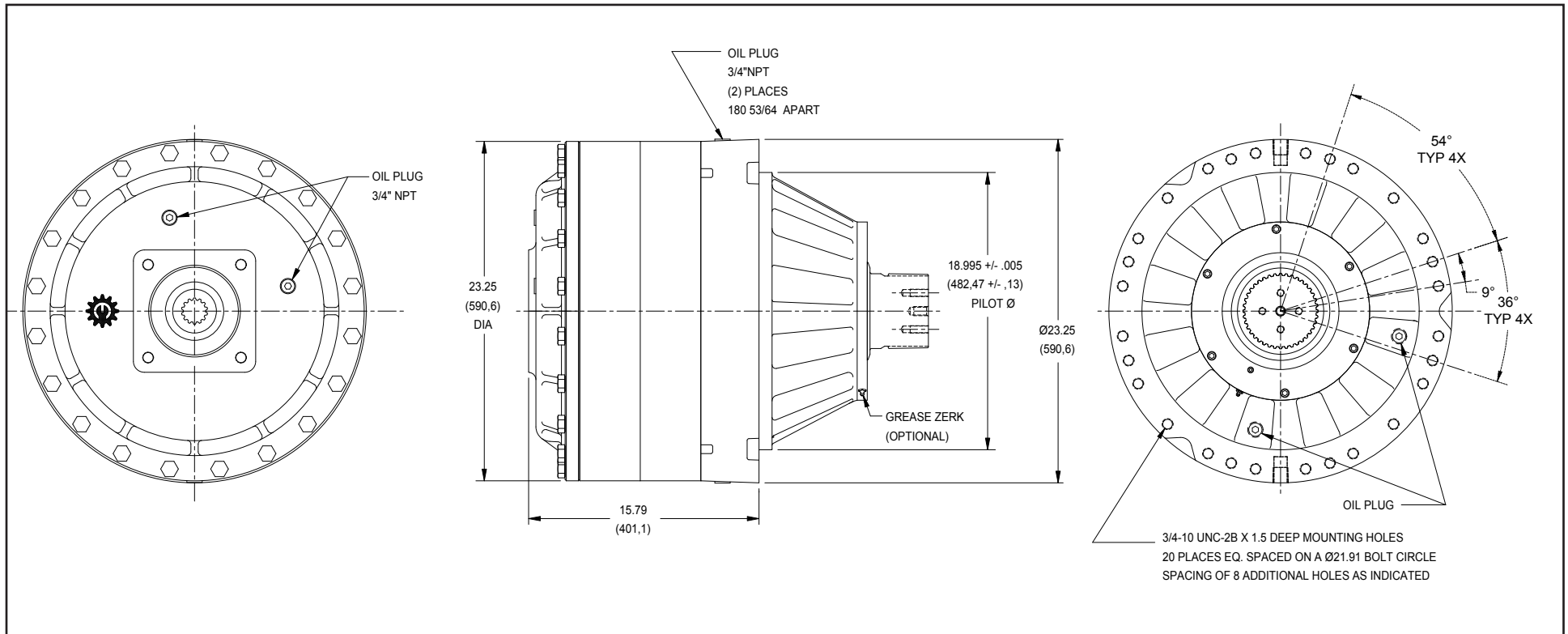
Typical Applications: Industrial, Marine or Mobile Equipment

(913) 782-1238 (Tel)
(913) 782-4206 (Fax)
Sales@EskridgeInc.com
www.EskridgeInc.com
FORM: PS1400_0308
Page 2 of 7

General Dimensions for Shaft Output Flangeless Gear Drive Mounting (ordering option 'F')

Other options may be available. See ordering information on last page or contact your Eskridge representative for more details.

Values are shown as "inches (millimeters)."





1400 Shaft/Spindle Drive

Typical Applications: Industrial, Marine or Mobile Equipment

(913) 782-1238 (Tel)
 (913) 782-4206 (Fax)
Sales@EskridgeInc.com
www.EskridgeInc.com
 FORM: PS1400_0308
 Page 3 of 7

General Dimensions for Spindle Output Flanged (ordering option 'A') and Flangeless (ordering option 'F') Gear Drive Mountings

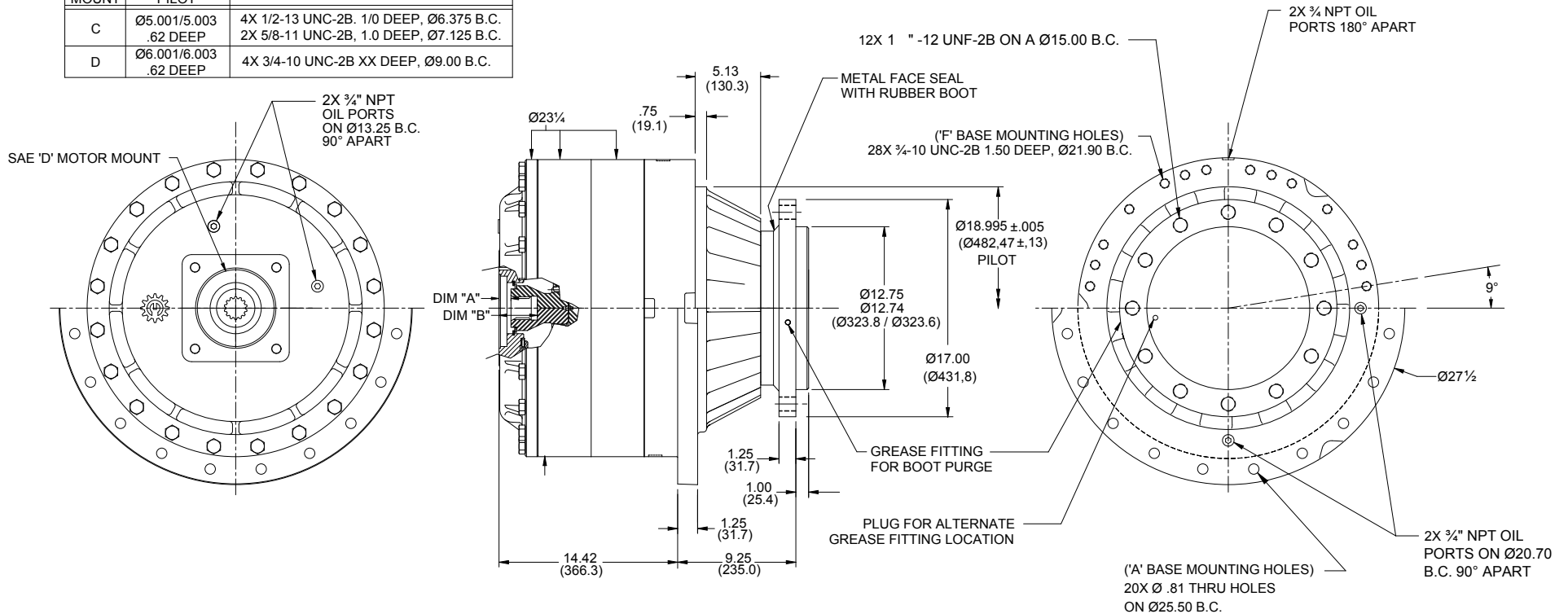
Other options may be available. See ordering information on last page or contact your Eskridge representative for more details.

Values are shown as "inches (millimeters)."

Input Spline Data

| Dimension "A" | | | |
|---------------|--------|--------|--------|
| 14 T | 17T | 16T | 13T |
| .94 | .94 | 1.10 | 1.10 |
| (23.9) | (23.9) | (27.9) | (27.9) |
| Dimension "B" | | | |
| 14 T | 17T | 16T | 13T |
| 3.00 | 3.62 | 3.62 | 3.00 |
| (76.2) | (91.5) | (91.5) | (76.2) |

| INPUT MOUNT | MOTOR PILOT | MOTOR MOUNTING DETAILS |
|-------------|--------------------------|--|
| C | Ø5.001/5.003 .62 DEEP | 4X 1/2-13 UNC-2B, 1/0 DEEP, Ø6.375 B.C. 2X 5/8-11 UNC-2B, 1.0 DEEP, Ø7.125 B.C. |
| D | Ø6.001/6.003 .62 DEEP | 4X 3/4-10 UNC-2B XX DEEP, Ø9.00 B.C. |





1400 Shaft/Spindle Drive

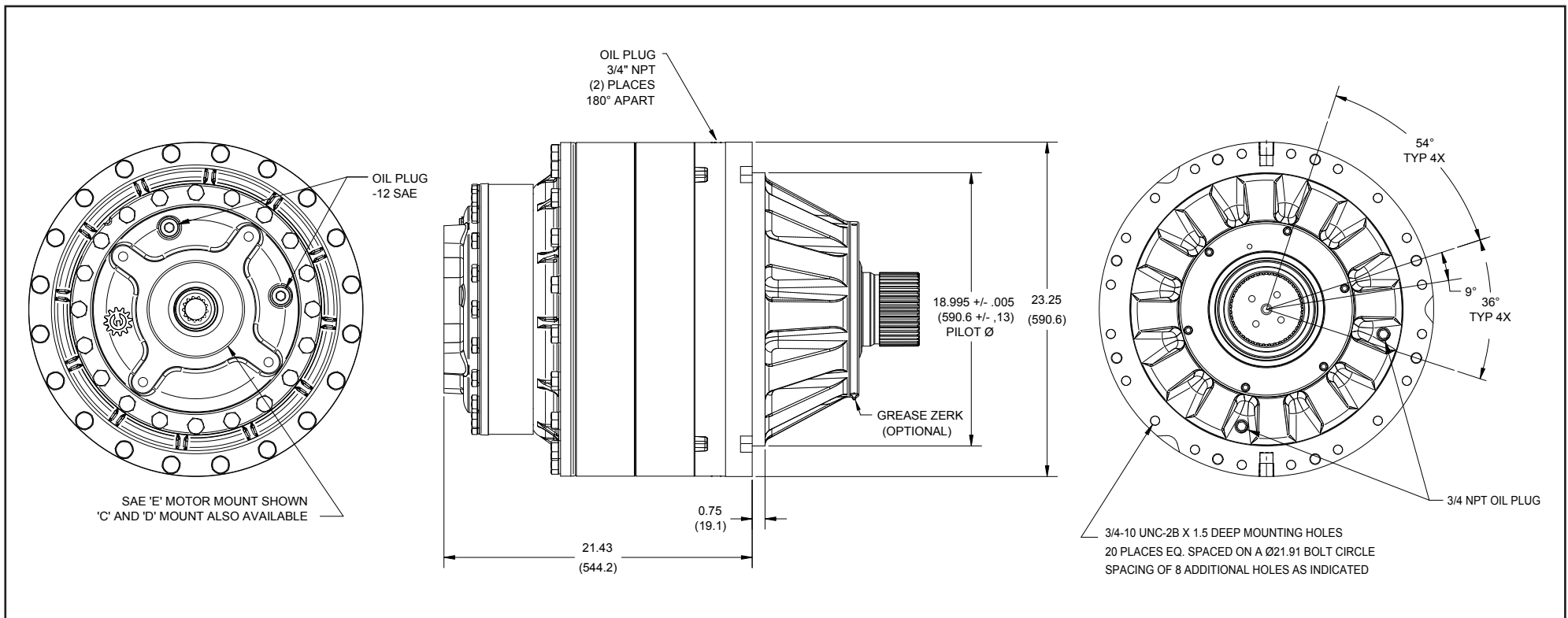
Typical Applications: Industrial, Marine or Mobile Equipment

(913) 782-1238 (Tel)
(913) 782-4206 (Fax)
Sales@EskridgeInc.com
www.EskridgeInc.com
FORM: PS1400_0308
Page 4 of 7

General Dimensions for Shaft Output Flangeless Triple Planetary Gear Drive Mounting (ordering option 'F')

This unit is also available with a flanged base (Ordering option 'A'). Other options may be available. See ordering information on last page or contact your Eskridge representative for more details.

Values are shown as "inches [millimeters]."





Oil Capacities

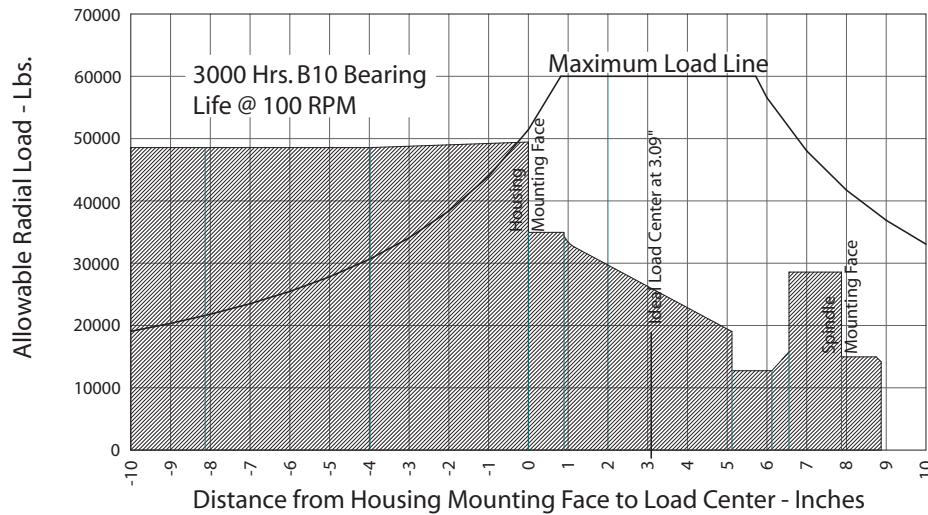
| Position | Quantity |
|----------|------------------|
| Vertical | 6.50 gal. / 25 L |
| Horiz. | 4.5 gal / 17 L |

All units are shipped dry (without oil).

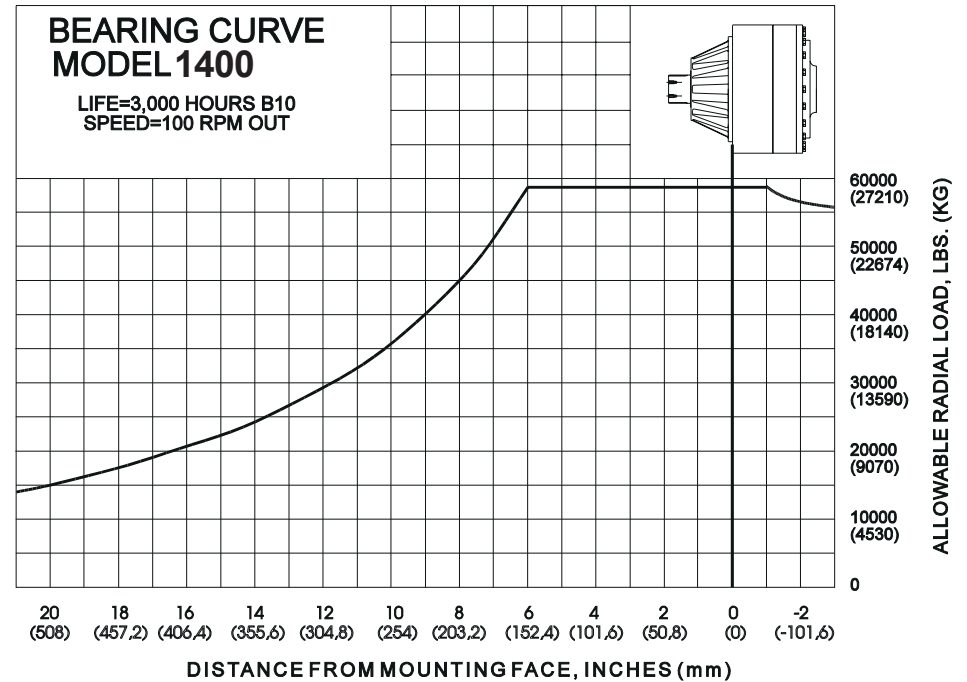
Approximate Unit Weight

1,425 - 1,500 lbs / 646 - 680 kg

Spindle Bearing Curve



Shaft Bearing Curve



To adjust for loads and speeds other than those shown on above curve, use this formula:

$$\text{Adjusted Life (hours)} = 3000 \left(\frac{100\text{rpm}}{\text{Speed(Adjusted)}} \right) \times \left(\frac{\text{Load (Curve)}}{\text{Load (Adjusted)}} \right)^{10/3}$$

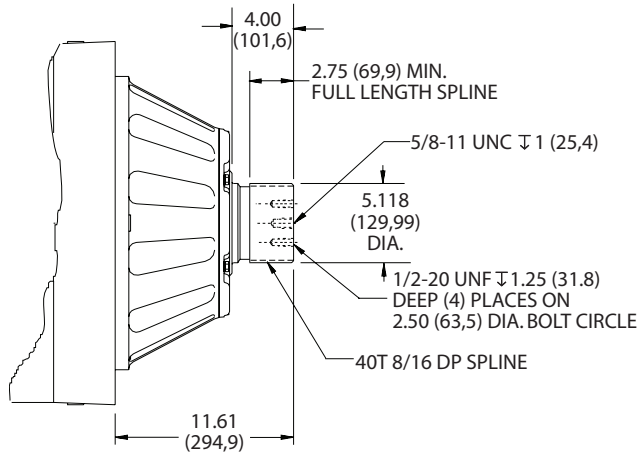


Output Shaft Options *Values are shown as "inches (millimeters)"*

D1 - 40T 8/16 DP Spline

Adapter Hub Available
Part Number: 60-004-4042
Retainer Kit: 60-018-0901

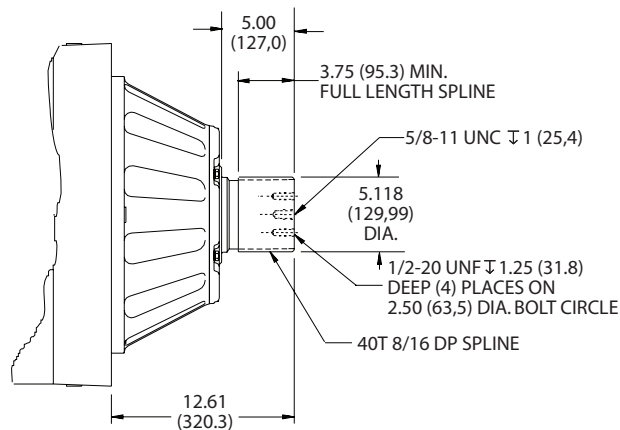
See Hubs & Pinions technical data sheet for details.



**S1 - 17" Dia. Spindle
12 x 1.125" - 12 UNF
on 15" dia. Bolt Circle
12.75" dia. Pilot**

**See page 3 drawing
for additional details**

D3 - 40T 8/16 DP Spline (long)



**S2 - 17" Dia. Spindle
12 x 1.22" Thru-Hole
on 15" dia. Bolt Circle
12.75" dia. Pilot**

**(same as S1, except
thru holes instead of
threaded)**



ESKRIDGE

1400 Shaft/Spindle Drive

Typical Applications: Industrial, Marine or Mobile Equipment

(913) 782-1238 (Tel)
(913) 782-4206 (Fax)
Sales@EskridgeInc.com
www.EskridgeInc.com
FORM: PS1400_0308
Page 7 of 7

Ordering Information

Example Part Number: 1400LAS1D9-26-Z

| Model | Shaft Retention | Gear Drive Mounting | Output Shaft/ Spindle | Input Mounting | Input Spline | Ratio | Options |
|-------------|--|--|--|--|--|---|--|
| 1400 | [] | [] | [] | [] | [] | [] | [] |
| | <p>(blank) - Retaining Ring (all shaft units)</p> <p>L - Load-N-Lock™ Patented shaft retention system (all spindle units) <i>See shaft retention technical bulletin for details.</i></p> | <p>A - Round Flange AQ - A Quick Eccentric F - Flangeless FQ - F Quick Eccentric C - Custom</p> | <p>D1 - 40T 8/16 DP Spline x 4" D3 - 40T 8/16 DP Spline x 5" (long) S1 - 17" dia. spindle 12 x 1.125" - 12 UNF on 15" dia. bolt circle 12.75" dia. pilot <i>S1 Output Shaft Option must be ordered with the L Shaft Retention Option</i> C1 - Custom Shaft</p> <p><i>Adapter Hub available to fit D1 & D3 shaft options</i> <i>Adapter Hub: 60-004-4042</i> <i>Retainer Kit: 60-018-0901</i> <i>See Hubs & Pinions technical bulletin for details.</i></p> | <p>C - SAE "C" (2 & 4 Bolt) D - SAE "D" (4 Bolt) E - SAE "E" (4 Bolt) <i>See input mounting technical bulletin for details.</i></p> | <p>4 - 14T 12/24 DP *7 - 17T 12/24 DP *8 - 16T 8/16 DP 9 - 13T 8/16 DP</p> <p><i>Verify motor shaft compatibility with factory</i></p> <p><i>*Note: 16T & 17T not available w/201:1 or 314:1</i></p> | <p>Double Planetary 26 - 26.48:1 41 - 41.41:1 Triple Planetary 104 - 104.5:1 155 - 155.4:1 163 - 163.5:1 201 - 201.0:1 243 - 243.1:1 314 - 314.2:1 <i>Ratios up to 62,000:1 available</i></p> | <p>Z - Grease Zerk <i>Required for pinion-up applications.</i> R - Rotated Cover <i>(non-standard orientation)</i></p> |