



130 Gear Drive - Shaft Output

Typical Applications: Industrial, Marine or Mobile Equipment

(913) 782-1238 (Tel)
(913) 782-4206 (Fax)
Sales@EskridgeInc.com
www.EskridgeInc.com
FORM: PS130_0505
Page 1 of 10

Performance Ratings

Maximum Intermittent Output Torque	130,000 in-lb (14,690 N-m)
Continuous Output Torque	65,000 in-lb (7,344 N-m)
Peak Torque Rating.....	Consult Eskridge
Maximum Input Speed (No Load).....	3,000 RPM

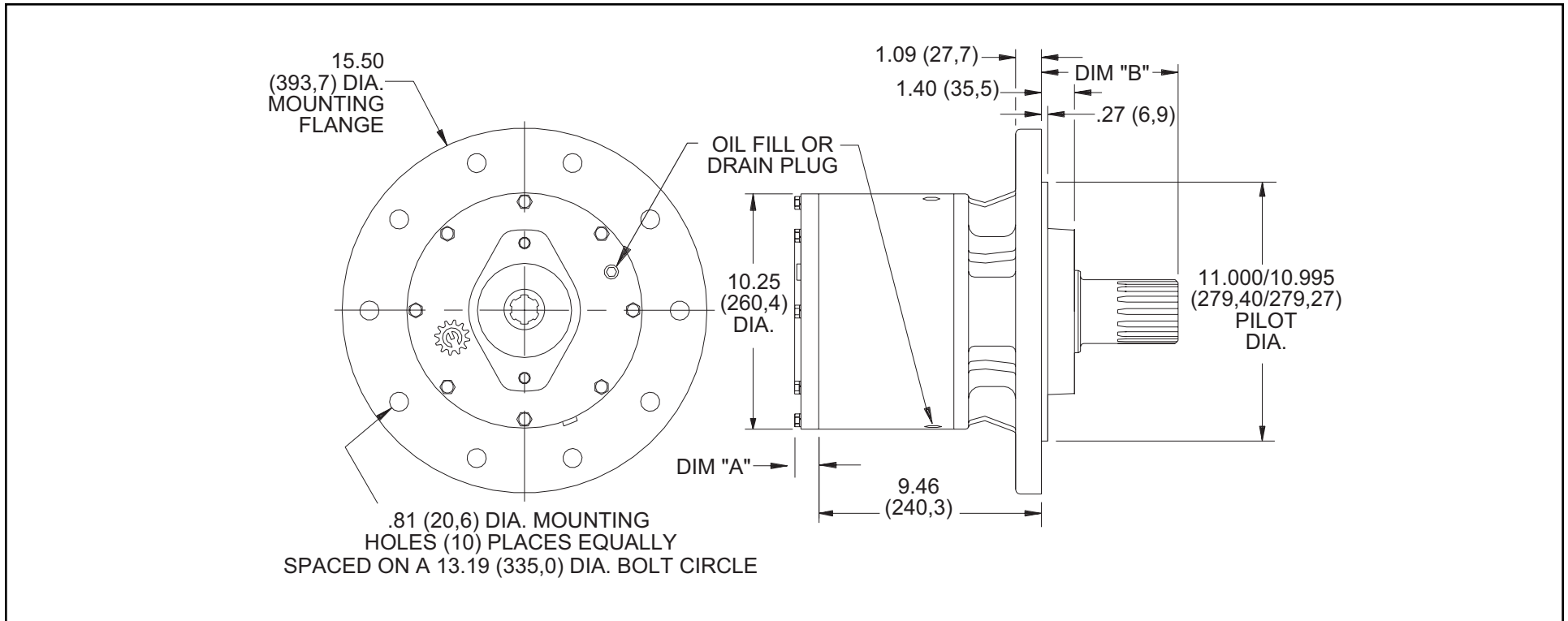
Consult your Eskridge representative to determine ratings for your specific application or configuration.

General Dimensions for Flanged Gear Drive Mounting (ordering option 'A')

See ordering information on last page or contact your Eskridge representative for details.

Values are shown as "inches (millimeters)." See page five for Dimensions A & B data.

See input spline data tables on right side of next page for Dim 'A' and Dim 'B' measurements.





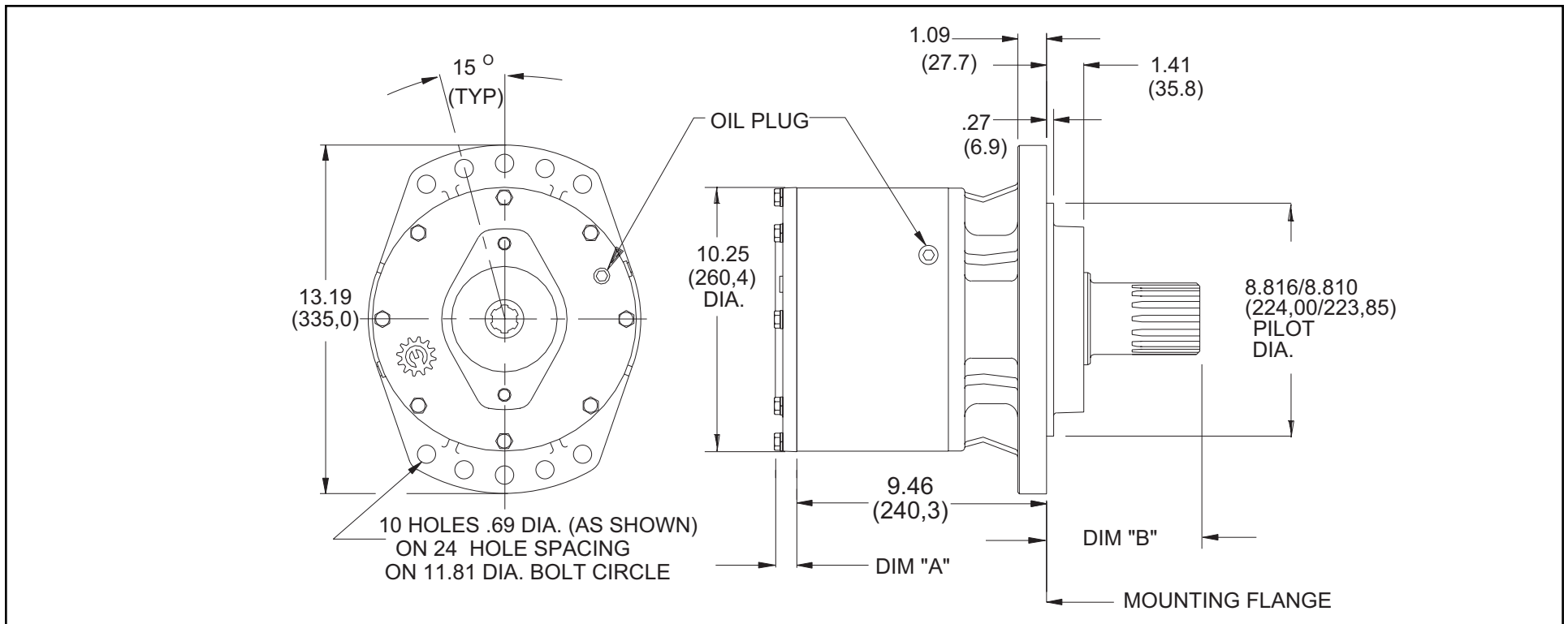
130 Gear Drive - Shaft Output

Typical Applications: Industrial, Marine or Mobile Equipment

(913) 782-1238 (Tel)
(913) 782-4206 (Fax)
Sales@EskridgeInc.com
www.EskridgeInc.com
FORM: PS130_0505
Page 2 of 10

General Dimensions for Rectangular Gear Drive Mounting (order option 'E')

See ordering information on last page or contact your Eskridge representative for details.
Values are shown as "inches (millimeters)."





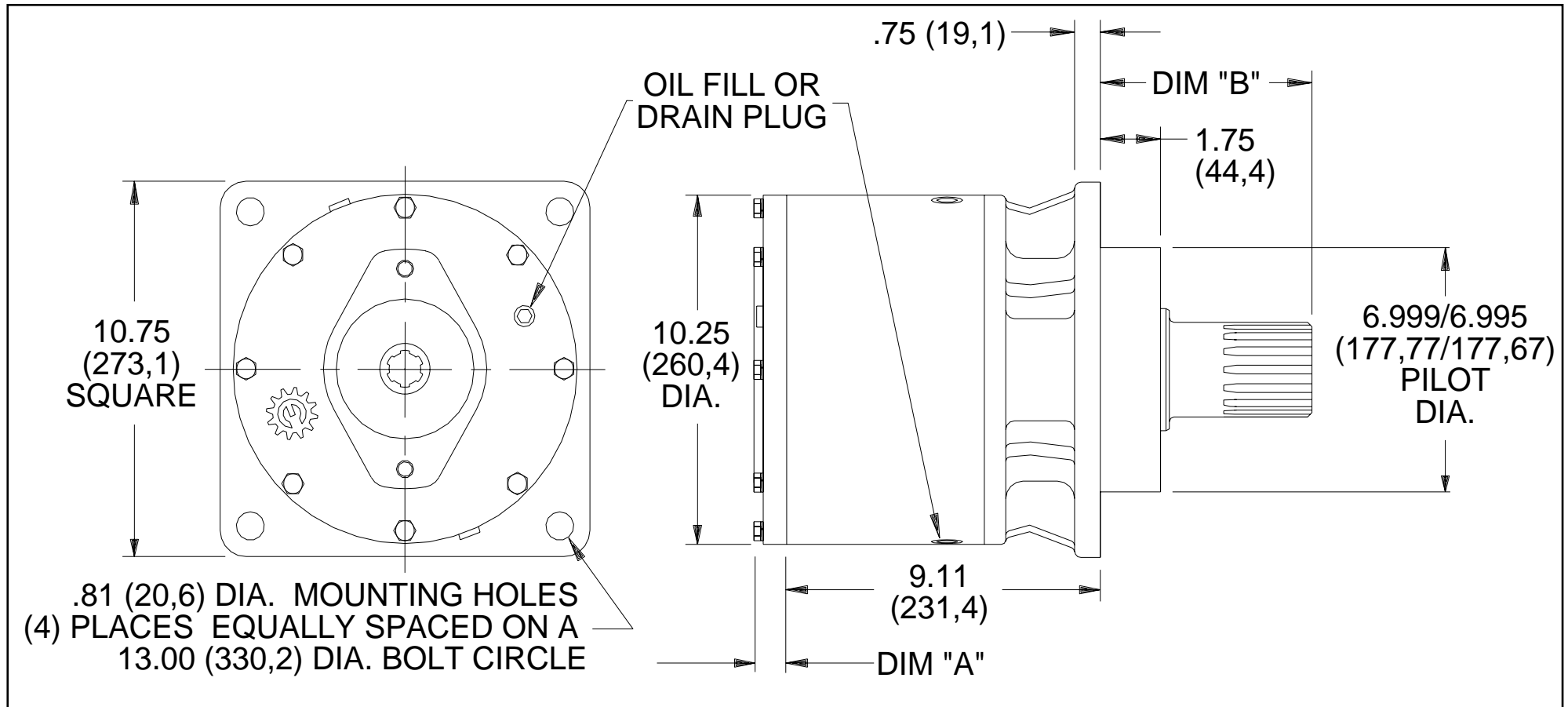
130 Gear Drive - Shaft Output

Typical Applications: Industrial, Marine or Mobile Equipment

(913) 782-1238 (Tel)
(913) 782-4206 (Fax)
Sales@EskridgeInc.com
www.EskridgeInc.com
FORM: PS130_0505
Page 3 of 10

General Dimensions for Square Gear Drive Mounting (ordering option 'B')

See ordering information on last page or contact your Eskridge representative for details.
Values are shown as "inches (millimeters)." See page five for Dimensions A & B data.





ESKRIDGE

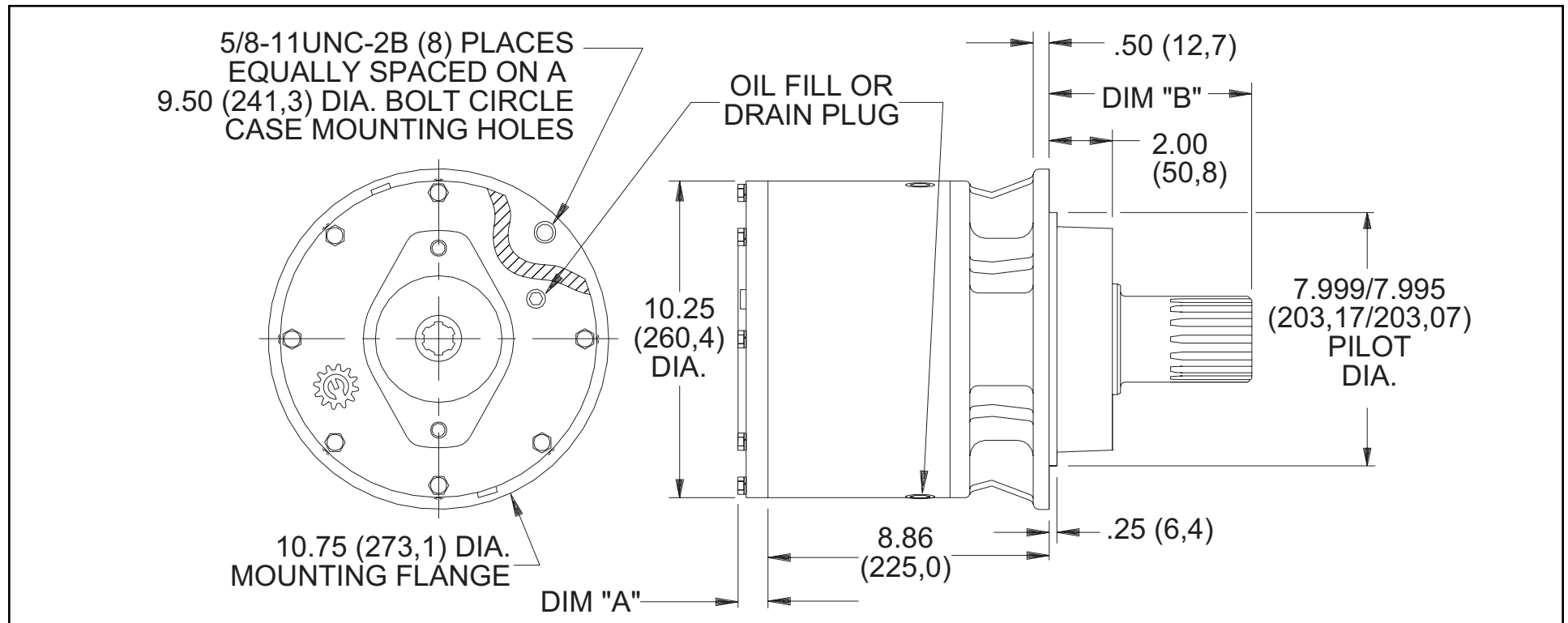
130 Gear Drive - Shaft Output

Typical Applications: Industrial, Marine or Mobile Equipment

(913) 782-1238 (Tel)
(913) 782-4206 (Fax)
Sales@EskridgeInc.com
www.EskridgeInc.com
FORM: PS130_0505
Page 4 of 10

General Dimensions for Flangeless Gear Drive Mounting (order option 'F')

See ordering information on last page or contact your Eskridge representative for details.
Values are shown as "inches (millimeters)." See page five for Dimensions A & B data.





130 Gear Drive - Shaft Output

Typical Applications: Industrial, Marine or Mobile Equipment

(913) 782-1238 (Tel)
 (913) 782-4206 (Fax)
Sales@EskridgeInc.com
www.EskridgeInc.com
 FORM: PS130_0505
 Page 5 of 10

Dimension "A" Specifications

Input Spline Code	Ratio	Standard Input Mounting		
		SAE 'A'	SAE 'B'	SAE 'C'
2, 3, 5	4, 6, 19, 26, 36	1.22 (31.0)	1.17 (29.7)	1.47 (37.3)
4	4, 6, 19, 26	1.47 (37.3)	1.47 (37.3)	1.47 (37.3)
4	36	2.72 (69.1)	2.72 (69.1)	2.72 (69.1)
All	33, 45	2.72 (69.1)	2.72 (69.1)	2.72 (69.1)

Dimension "B" Specifications

Gear Drive Mounting	Output Shaft Code				
	D1	D2	D3	D4	D5
A	5.80 (147.3)	5.80 (147.3)	4.62 (117.3)	6.12 (155.4)	5.34 (135.6)
B	6.15 (159.2)	6.15 (159.2)	4.96 (126.0)	6.46 (164.1)	5.68 (144.3)
E	5.80 (147.3)	5.80 (147.3)	4.62 (117.3)	6.12 (155.4)	5.34 (135.6)
F	6.40 (162.6)	6.40 (162.6)	5.21 (132.3)	6.71 (170.4)	5.93 (150.6)
C	<i>Consult Eskridge</i>				



130 Gear Drive - Shaft Output

Typical Applications: Industrial, Marine or Mobile Equipment

(913) 782-1238 (Tel)
 (913) 782-4206 (Fax)
Sales@EskridgeInc.com
www.EskridgeInc.com
 FORM: PS130_0505
 Page 6 of 10

Oil Capacities

Position	Quantity		
	Single Planetary	Double Planetary	Triple Planetary
Vertical	5.0 pts 2.4 L	5.0 pts 2.4 L	6.9 pts 3.25 L
Horizontal	3.0 pts 1.4 L	3.0 pts 1.4 L	4.1 pts 1.9 L

All units are shipped dry (without oil).

Approximate Unit Weights

Gear Drive Mounting	Stages		
	Single Planetary	Double Planetary	Triple Planetary
A	189 (86)	200 (91)	218 (99)
B	157 (71)	168 (76)	186 (84)
E	164 (74)	175 (79)	193 (88)
F	140 (64)	150 (68)	168 (76)
C	Consult Eskridge		

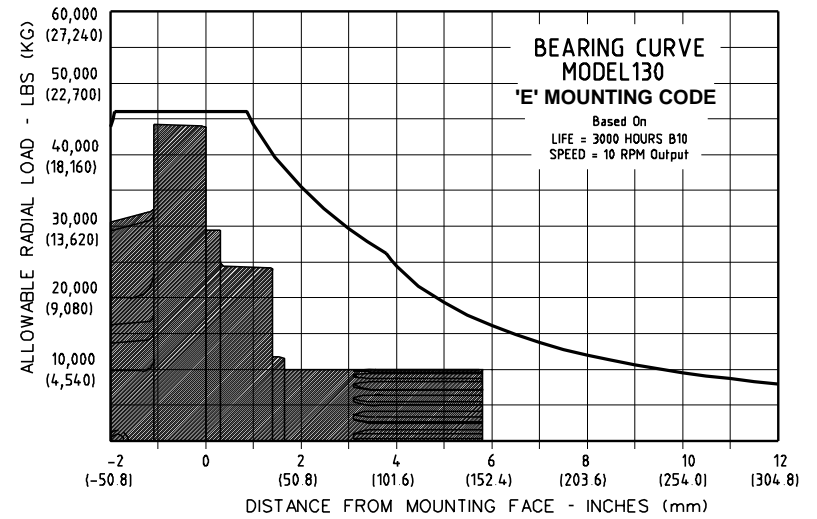
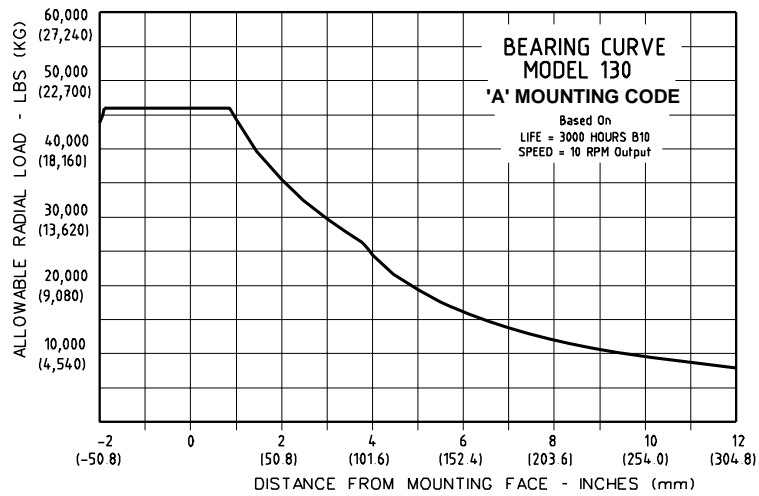


130 Gear Drive - Shaft Output

Typical Applications: Industrial, Marine or Mobile Equipment

(913) 782-1238 (Tel)
 (913) 782-4206 (Fax)
Sales@EskridgeInc.com
www.EskridgeInc.com
 FORM: PS130_0505
 Page 7 of 10

Bearing Curves



Adjust for loads and speeds other than those shown on these curves using this formula.

$$\text{Adjusted Life (hours)} = 3000 \left(\frac{100\text{rpm}}{\text{Speed(Adjusted)}} \right) \times \left(\frac{\text{Load (Curve)}}{\text{Load (Adjusted)}} \right)^{10/3}$$

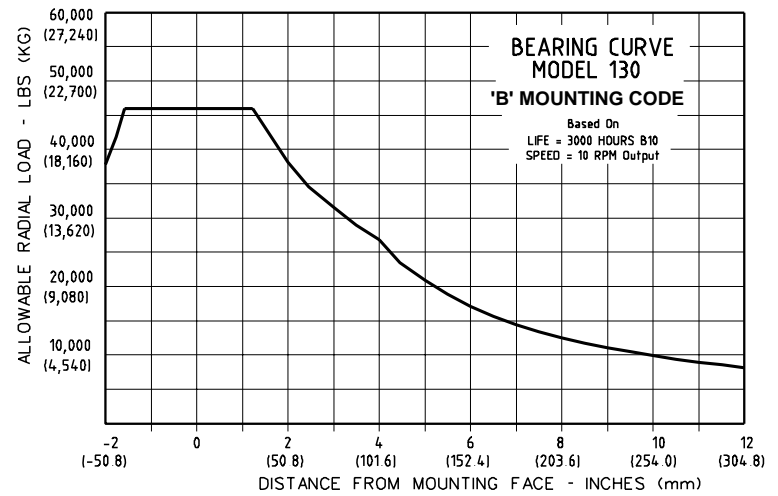
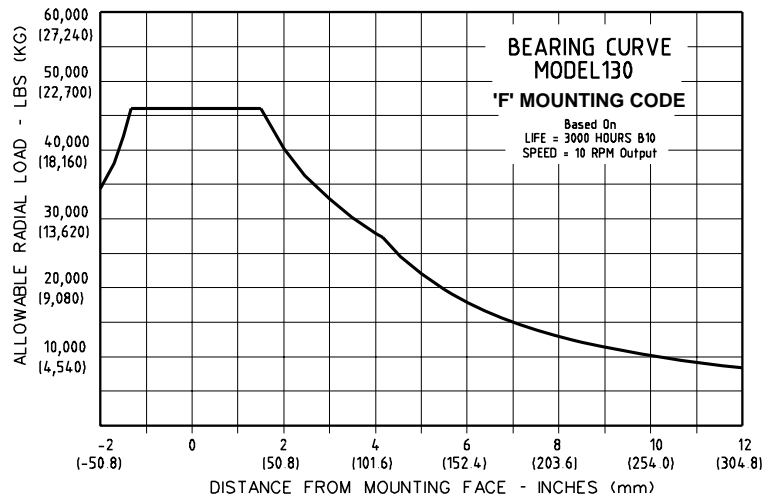


130 Gear Drive - Shaft Output

Typical Applications: Industrial, Marine or Mobile Equipment

(913) 782-1238 (Tel)
 (913) 782-4206 (Fax)
Sales@EskridgeInc.com
www.EskridgeInc.com
 FORM: PS130_0505
 Page 8 of 10

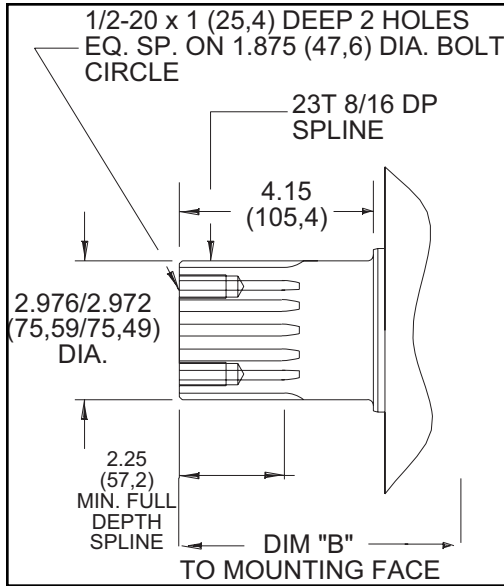
Bearing Curves



Adjust for loads and speeds other than those shown on these curves using this formula.

$$\text{Adjusted Life (hours)} = 3000 \left(\frac{100\text{rpm}}{\text{Speed(Adjusted)}} \right) \times \left(\frac{\text{Load (Curve)}}{\text{Load (Adjusted)}} \right)^{10/3}$$

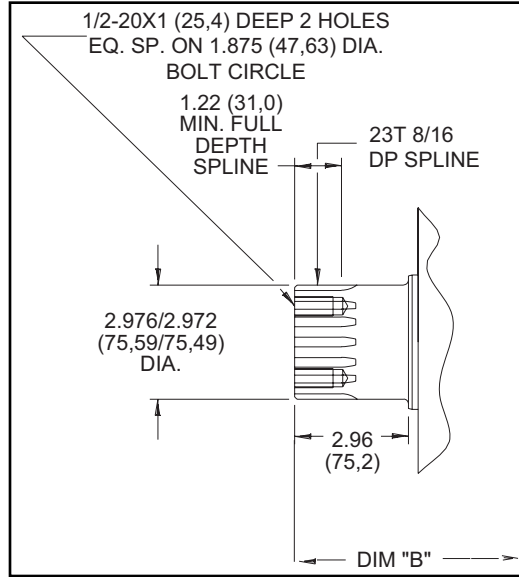
Output Shaft Options Values are shown as "inches (millimeters)"



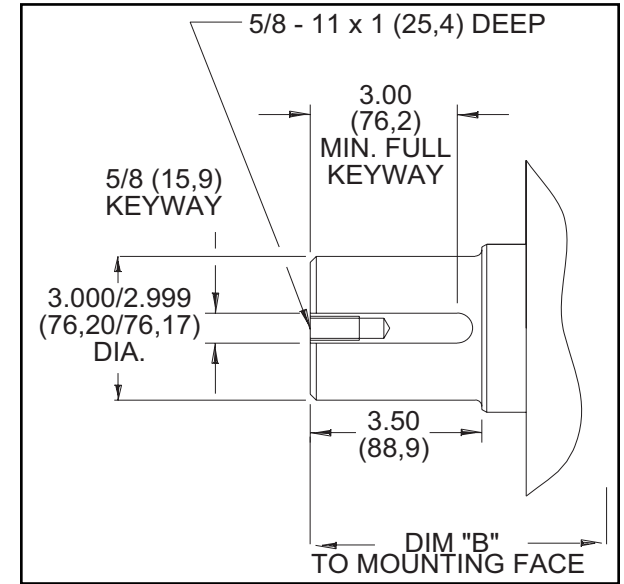
D1 - 23T 8/16 DP Spline (medium)

Adapter Hub Available
 Part Number: 81-004-2172
 Retainer Kit: 81-018-0741

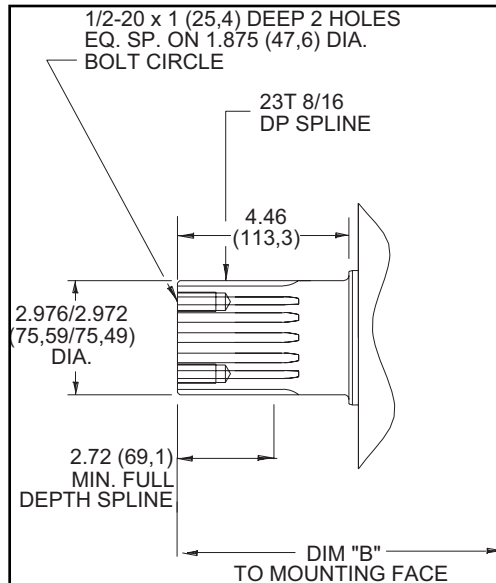
See Hubs & Pinions technical bulletin for details.



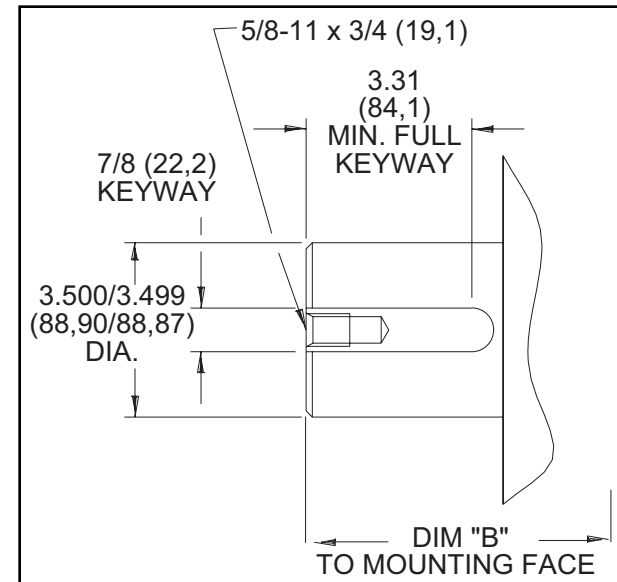
D3 - 23T 8/16 DP Spline (short)



D2 - 3" Dia. X 62" Key



D4 - 23T 8/16 DP Spline (long)



D5 - 3.50" Dia. X 0.87" Key



130 Gear Drive - Shaft Output

Typical Applications: Industrial, Marine or Mobile Equipment

(913) 782-1238 (Tel)
 (913) 782-4206 (Fax)
Sales@EskridgeInc.com
www.EskridgeInc.com
 FORM: PS130_0505
 Page 10 of 10

Ordering Information

Example Part Number: 130LAD2B2-36-Z

Model	Shaft Retention	Gear Drive Mounting	Output Shaft	Input Mounting	Input Spline	Ratio	Options
130	L					-	
	<p>L - Load-N-Lock™ Patented shaft retention system See shaft retention technical bulletin for details.</p>	<p>A - Round Flange AQ - A w/Quick Eccentric B - Square Flange E - Rectangular Flange F - Flangeless C - Custom</p>	<p>D1 - 23T - 8/16 DP Spline (medium) D2 - 3" Dia. X 62" Key D3 - 23T - 8/16 DP Spline (short) D4 - 23T 8/16 DP Spline (long) D5 - 3.50" Dia. X 0.87" Key C1 - Custom Shaft</p> <p><small>Adapter Hub available to fit D1 shaft option. See Hubs & Pinions technical bulletin for details. Adapter Hub Part Number: 81-004-2172 Retainer Kit Part Number: 81-018-0741</small></p>	<p>A - SAE "A" (2 & modified 4 Bolt) B - SAE "B" (2 Bolt) (4 Bolt available) C - SAE "C" (2 & 4 Bolt) D - SAE "D" (4 Bolt)</p> <p><small>See input mounting technical bulletin for details.</small></p>	<p>2 - 13T 16/32 DP 3 - SAE 1"-6B 4 - 14T 12/24 DP 5 - 15T 16/32 DP</p> <p><small>Splines 7 & 9 below only available with single stage</small></p> <p>7 - 17T 12/24 DP 9 - 13T 8/16 DP</p> <p><small>Verify motor shaft compatibility with factory</small></p>	<p><i>Single Stage</i> 4 - 4.42:1 6 - 6.00:1</p> <p><i>Double Stage</i> 19 - 19.54:1 26 - 26.52:1 33 - 33.15:1 36 - 36.00:1 45 - 45.00:1</p> <p><i>Triple Stage</i> 86 - 86.35:1 117 - 117.21:1 147 - 146.52:1 159 - 159.12:1 199 - 198.90:1 216 - 216.00:1 270 - 270.00:1</p> <p><small>Ratios up to 7,776:1 available</small></p>	<p>Z - Grease Zerk Required for pinion-up applications R - Rotated Cover</p>