

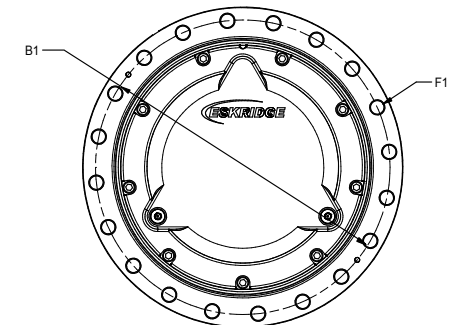
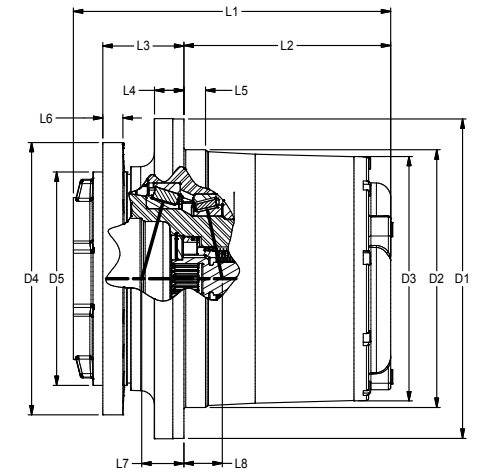
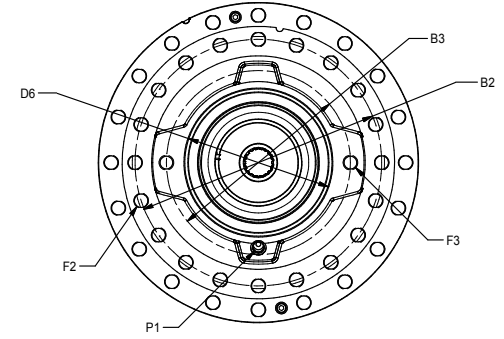


55T Final Drive Specifications

Typical Applications: Track Drive, Chain Drive, Wheel Drive, Reel and Winch Drive, Road Cutter Drum Drive

(913) 782-1238
 (913) 782-4206
 sales@eskridgeinc.com
 www.eskridgeinc.com
 Form: P55T-AA
 Page: 1

Series		55TA		55TB		55TC	
Torque Rating	Max Intermittent	55,000 Nm	486,750 in-lbs	55,000 Nm	486,750 in-lbs	55,000 Nm	486,750 in-lbs
	Continuous	27,500 Nm	243,375 in-lbs	27,500 Nm	243,375 in-lbs	27,500 Nm	243,375 in-lbs
Ratio		14.4:1		14.4:1		14.4:1	
		15.6:1		15.6:1		15.6:1	
		22.0:1		22.0:1		22.0:1	
		63.1:1		63.1:1		63.1:1	
		68.3:1		68.3:1		68.3:1	
		89.4:1		89.4:1		89.4:1	
		95.1:1		95.1:1		95.1:1	
		124.2:1		124.2:1		124.2:1	
		133.5:1		133.5:1		133.5:1	
		147.8:1		147.8:1		147.8:1	
	185.5:1		185.5:1		185.5:1		
Park Brake Holding Torque - Minimum Release Pressure	820 Nm - 29 bar	7300 in-lbs - 420 psi	820 Nm - 29 bar	7300 in-lbs - 420 psi	820 Nm - 29 bar	7300 in-lbs - 420 psi	
	625 Nm - 25 bar	5500 in-lbs - 360 psi	625 Nm - 25 bar	5500 in-lbs - 360 psi	625 Nm - 25 bar	5500 in-lbs - 360 psi	
	590 Nm - 21 bar	5200 in-lbs - 300 psi	590 Nm - 21 bar	5200 in-lbs - 300 psi	590 Nm - 21 bar	5200 in-lbs - 300 psi	
	460 Nm - 21 bar	4100 in-lbs - 300 psi	460 Nm - 21 bar	4100 in-lbs - 300 psi	460 Nm - 21 bar	4100 in-lbs - 300 psi	
	395 Nm - 21 bar	3500 in-lbs - 300 psi	395 Nm - 21 bar	3500 in-lbs - 300 psi	395 Nm - 21 bar	3500 in-lbs - 300 psi	
	370 Nm - 17 bar	3300 in-lbs - 250 psi	370 Nm - 17 bar	3300 in-lbs - 250 psi	370 Nm - 17 bar	3300 in-lbs - 250 psi	
	320 Nm - 17 bar	2800 in-lbs - 250 psi	320 Nm - 17 bar	2800 in-lbs - 250 psi	320 Nm - 17 bar	2800 in-lbs - 250 psi	
Cartridge Motor Fixed / Variable Dis	40-63 cc	2.44-3.84 in ³	75-90 cc	4.58-5.49 in ³	107-125 cc	6.52-7.62 in ³	
D1	435 mm	17.13 in	435 mm	17.13 in	435 mm	17.13 in	
D2	350.0/349.9 mm	13.780/13.776 in	350.0/349.9 mm	13.780/13.776 in	350.0/349.9 mm	13.780/13.776 in	
D3	330 mm	12.99 in	330 mm	12.99 in	330 mm	12.99 in	
D4	320 mm	12.60 in	360 mm	14.17 in	370 mm	14.57 in	
D5	240.0/239.9 mm	9.449/9.444 in	280.0/279.9 mm	11.024 / 11.019 in	290.0/289.9 mm	11.417/11.413 in	
D6	160 mm	6.30 in	190 mm	7.48 in	200 mm	7.87 in	
B1	400 mm	15.75 in	400 mm	15.75 in	400 mm	15.75 in	
B2	285 mm	11.22 in	325 mm	12.80 in	335 mm	13.19 in	
B3	200 mm	7.87 in	224 mm	8.82 in	250 mm	9.84 in	
L1	396 mm	15.59 in	416 mm	16.38 in	431 mm	16.97 in	
L2	281 mm	11.06 in	281 mm	11.06 in	281 mm	11.06 in	
L3	106 mm	4.17 in	110 mm	4.33 in	110 mm	4.33 in	
L4	40 mm	1.57 in	40 mm	1.57 in	40 mm	1.57 in	
L5	30 mm	1.18 in	30 mm	1.18 in	30 mm	1.18 in	
L6	24 mm	0.94 in	27 mm	1.06 in	27 mm	1.06 in	
L7	57 mm	2.24 in	57 mm	2.24 in	57 mm	2.24 in	
L8	52 mm	2.05 in	52 mm	2.05 in	52 mm	2.05 in	
F1	M20 X 1.5, QTY 20		M20 X 1.5, QTY 20		M20 X 1.5, QTY 20		
F2	M20 X 1.5, QTY 20		M20 X 1.5, QTY 24		M20 X 1.5, QTY 20		
F3	M20 X 2.5, QTY 2		M20 X 2.5, QTY 2		M20 X 2.5, QTY 2		
P1	M14 X 1.5 ISO 6149-1, QTY 1		M14 X 1.5 ISO 6149-1, QTY 1		M14 X 1.5 ISO 6149-1, QTY 1		





55T Final Drive Specifications

Typical Applications: Track Drive, Chain Drive, Wheel Drive, Reel and Winch Drive, Road Cutter Drum Drive

(913) 782-1238
 (913) 782-4206
 sales@eskridgeinc.com
 www.eskridgeinc.com
 Form: P55T-AA
 Page: 2

Gearbox Features

- Compact two and three stage planetary design
- Integral multiple disk parking brake
- Long life metal face seal
- Optional mechanical disconnect
- High pressure brake release capacity
- Low noise operation
- Cageless planetary gear bearings
- Designed to accommodate fixed and variable displacement cartridge motors
- High capacity main bearings
- High torque capacity

Approximate Unit Weight

204 kg (450 lbs)
 Weights will vary based on options.

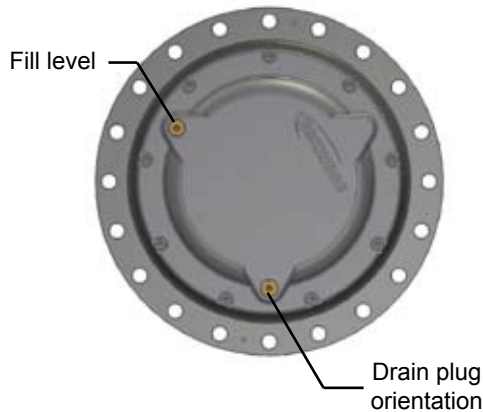
Speed Limitations

Maximum input speed no load 3000 rev/min

Oil Capacity and Fill Level

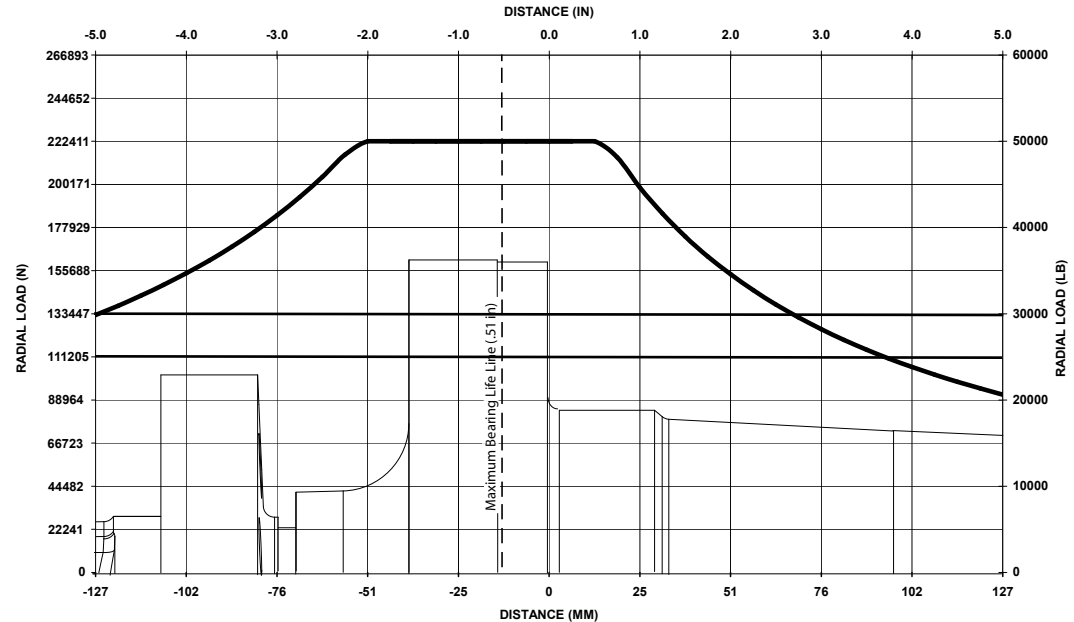
5.5 liters (6 quarts) with brake
 5.5 liters (6 quarts) without brake
 Oil recommendations provided with owners manual

All units are shipped without oil.



Bearing Curve - 55T Final Drive

FOR 3000 HOURS L10 LIFE AT 50 RPM



Conditions of Bearing Curve

Life: 3000Hrs L10

Speed: 50 RPM Output

To adjust for loads and speeds other than those shown on above curve use this formula:

$$\text{Adjusted Life (hours)} = 3000 \left(\frac{50\text{rpm}}{\text{Speed(Adjusted)}} \right) \times \left(\frac{\text{Load (Curve)}}{\text{Load (Adjusted)}} \right)^{10/3}$$



55T Final Drive Specifications

Typical Applications: Track Drive, Chain Drive, Wheel Drive, Reel and Winch Drive, Road Cutter Drum Drive

(913) 782-1238
 (913) 782-4206
 sales@eskridgeinc.com
 www.eskridgeinc.com
 Form: P55T-AA
 Page: 3

